

134-0724
Work Order 1294



It's like having your own shop!

Drawn By: Chris Davis

Last Modified: May 30, 2024

134-0724

Work Order 1294

Wood: Red Oak

Color: Classic Gray on Desktop and Desk Back

SW 7105 Paperwhite Everywhere else

Size: ***Extra Long Full***

Hardware: 6" Nickel Bar Pulls



6" Bar Pulls
Nickel

Info Page



It's like having your own shop!

134-0724
Work Order 1294

REVISIONS

	MM/DD/YY	REMARKS
1	05/28/24	Raised Upper BC, Added top trim, added 3 glass
2		shelves, added 1 BC light, Changed lights/outlets
3		to white, added soft close on lower BC doors/drws,
4	5/30/24	Change left BC depth to 11", Made Bookcase header
5		outset, added doors to the left upper BC.

A 02

A

134-0724
Work Order 1294

Size: *Extra Long Full*****

Wood: Red Oak

Color: Classic Gray on Desktop and Desk Back
SW 7105 Paperwhite Everywhere else

Hardware: 6" Nickel Bar Pulls

Outset header on bookcase
Top 3 on left side glass shelves
Single Fold Inset Desk
Desktop and Back Classic Gray

2nd light touch switch
(other one is on the headboard)

Bookcase White Charging Station
both sides

Scribe and trim
(both sides)

Left base cut long
(Trim by customer)
This left side is 12 1/2"
from back wall

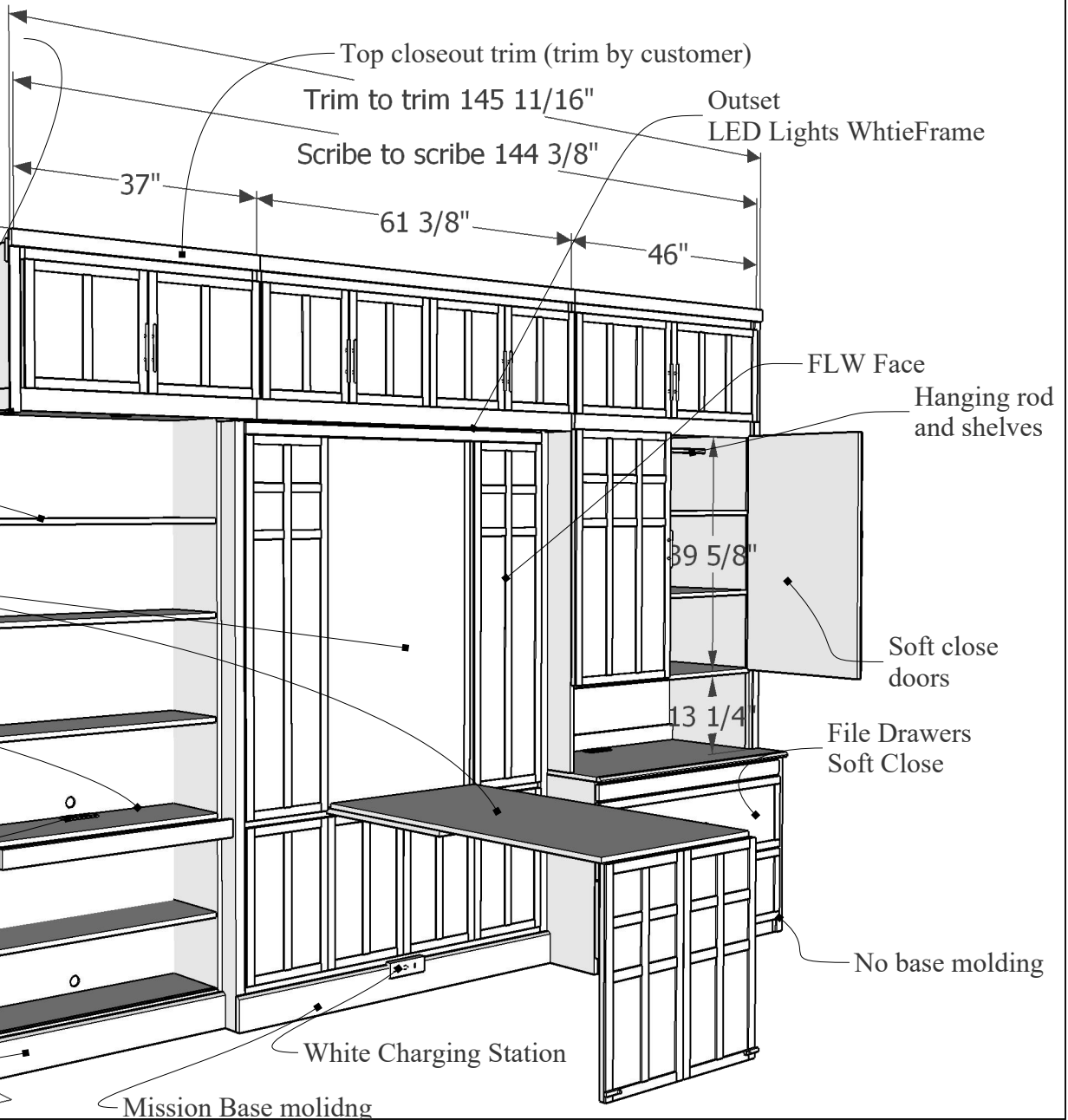
NOTE Depth
(cabinet is 11" d and
main cabinet is 11 3/4"
from back wall)

106 5/16"

18 1/8"

105 1/4"

87 1/8"



Main Drawing with Measurements



It's like having your own shop!

134-0724
Work Order 1294

REVISIONS

	MM/DD/YY	REMARKS
1	05/28/24	Raised Upper BC, Added top trim, added 3 glass shelves, added 1 BC light, Changed lights/outlets
3		to white, added soft close on lower BC doors/drws,
4	5/30/24	Change left BC depth to 11", Made Bookcase header outset, added doors to the left upper BC.
5		

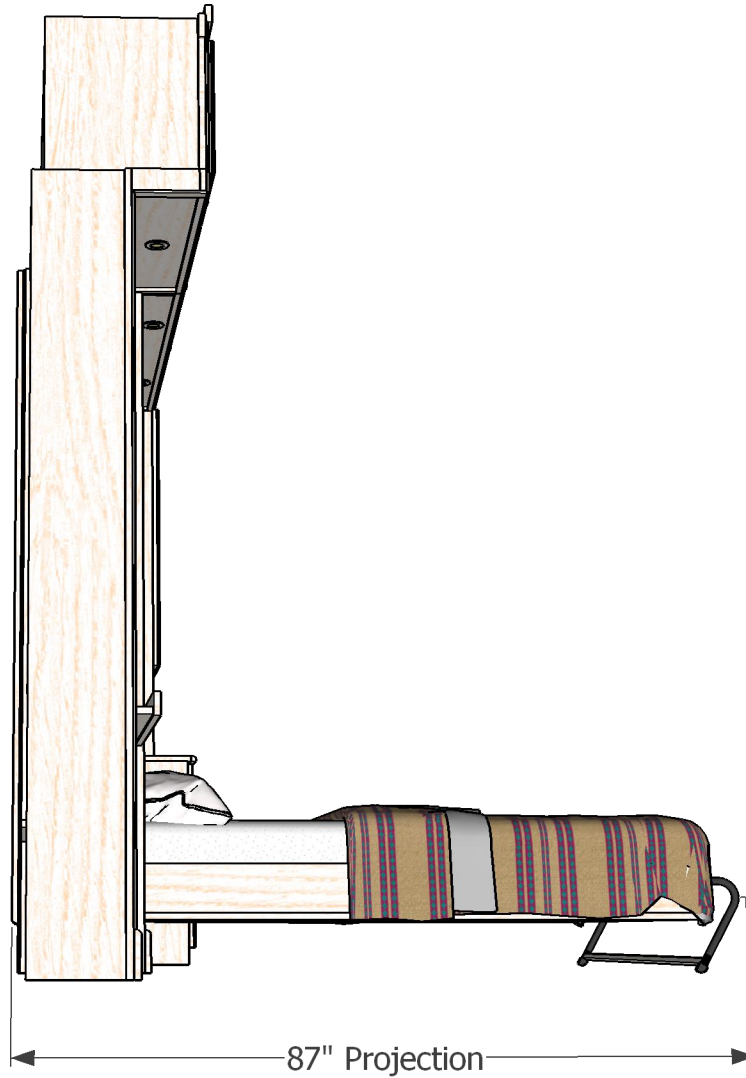
03

A

134-0724
Work Order 1294

Extra Long Full

Classic Gray on Desktop and Desk Back
 SW 7105 Paperwhite Everywhere else



Drawing Projection



It's like having your own shop!

134-0724
 Work Order 1294

REVISIONS

	MM/DD/YY	REMARKS
1	05/28/24	Raised Upper BC, Added top trim, added 3 glass shelves, added 1 BC light, Changed lights/outlets
2		
3		to white, added soft close on lower BC doors/drws,
4	5/30/24	Change left BC depth to 11", Made Bookcase header
5		outset, added doors to the left upper BC.

A 04

A



Face Closed



It's like having your own shop!

134-0724
Work Order 1294

REVISIONS

	MM/DD/YY	REMARKS
1	05/28/24	Raised Upper BC, Added top trim, added 3 glass shelves, added 1 BC light, Changed lights/outlets
2		to white, added soft close on lower BC doors/drws,
3		Change left BC depth to 11", Made Bookcase header
4	5/30/24	outset, added doors to the left upper BC.
5		

05

A



Face Open



It's like having your own shop!

134-0724
Work Order 1294

REVISIONS

	MM/DD/YY	REMARKS
1	05/28/24	Raised Upper BC, Added top trim, added 3 glass shelves, added 1 BC light, Changed lights/outlets
2		to white, added soft close on lower BC doors/drws,
3		Change left BC depth to 11", Made Bookcase header
4	5/30/24	outset, added doors to the left upper BC.
5		

06

A



Desk Down



It's like having your own shop!

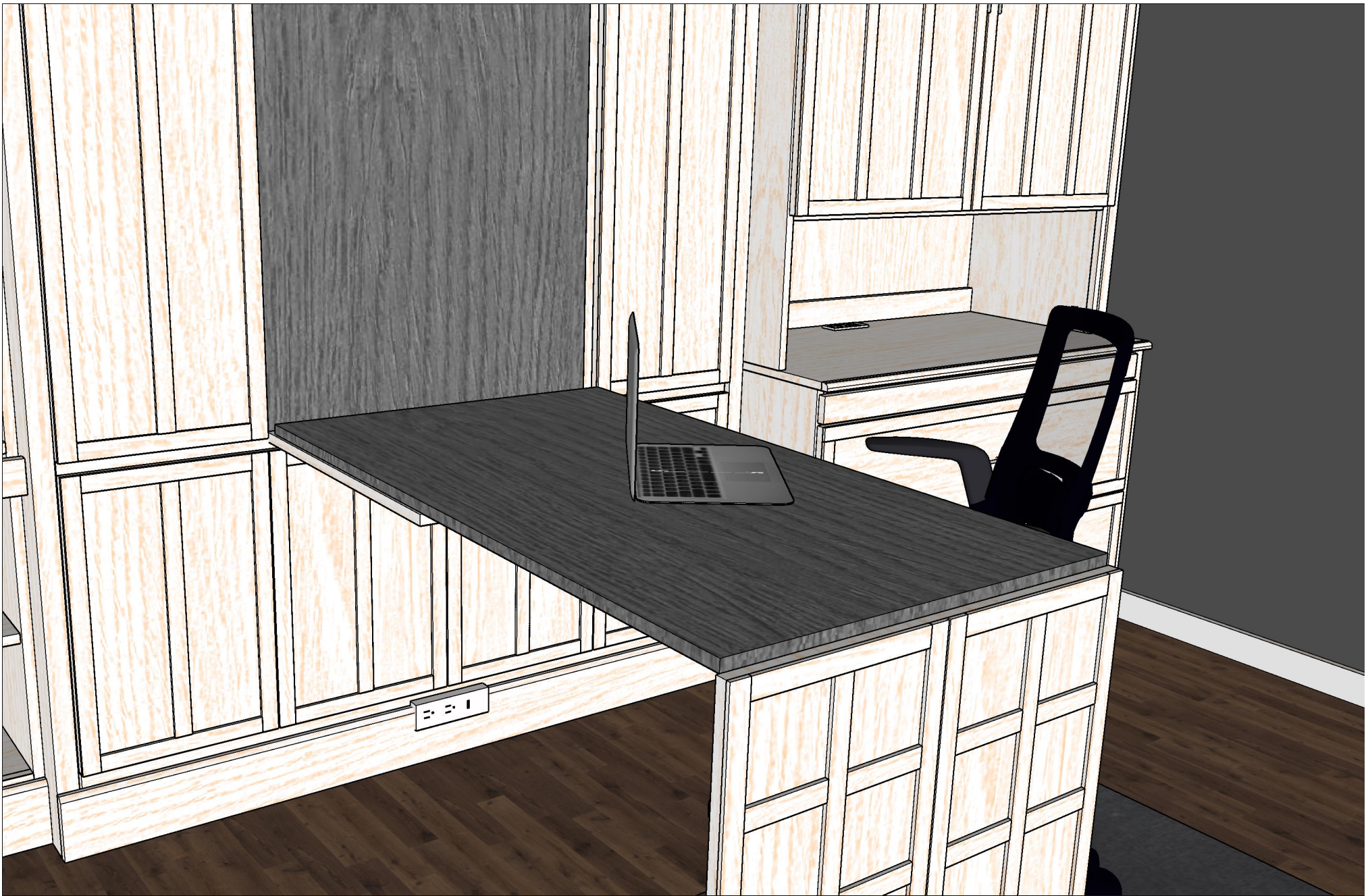
134-0724
Work Order 1294

REVISIONS

	MM/DD/YY	REMARKS
1	05/28/24	Raised Upper BC, Added top trim, added 3 glass shelves, added 1 BC light, Changed lights/outlets
2		
3		to white, added soft close on lower BC doors/drws,
4	5/30/24	Change left BC depth to 11", Made Bookcase header outset, added doors to the left upper BC.
5		

07

A



Desk Closeup



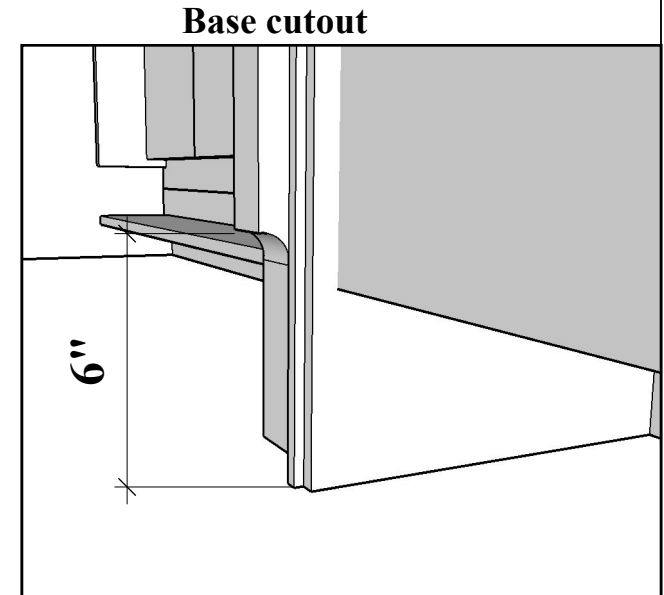
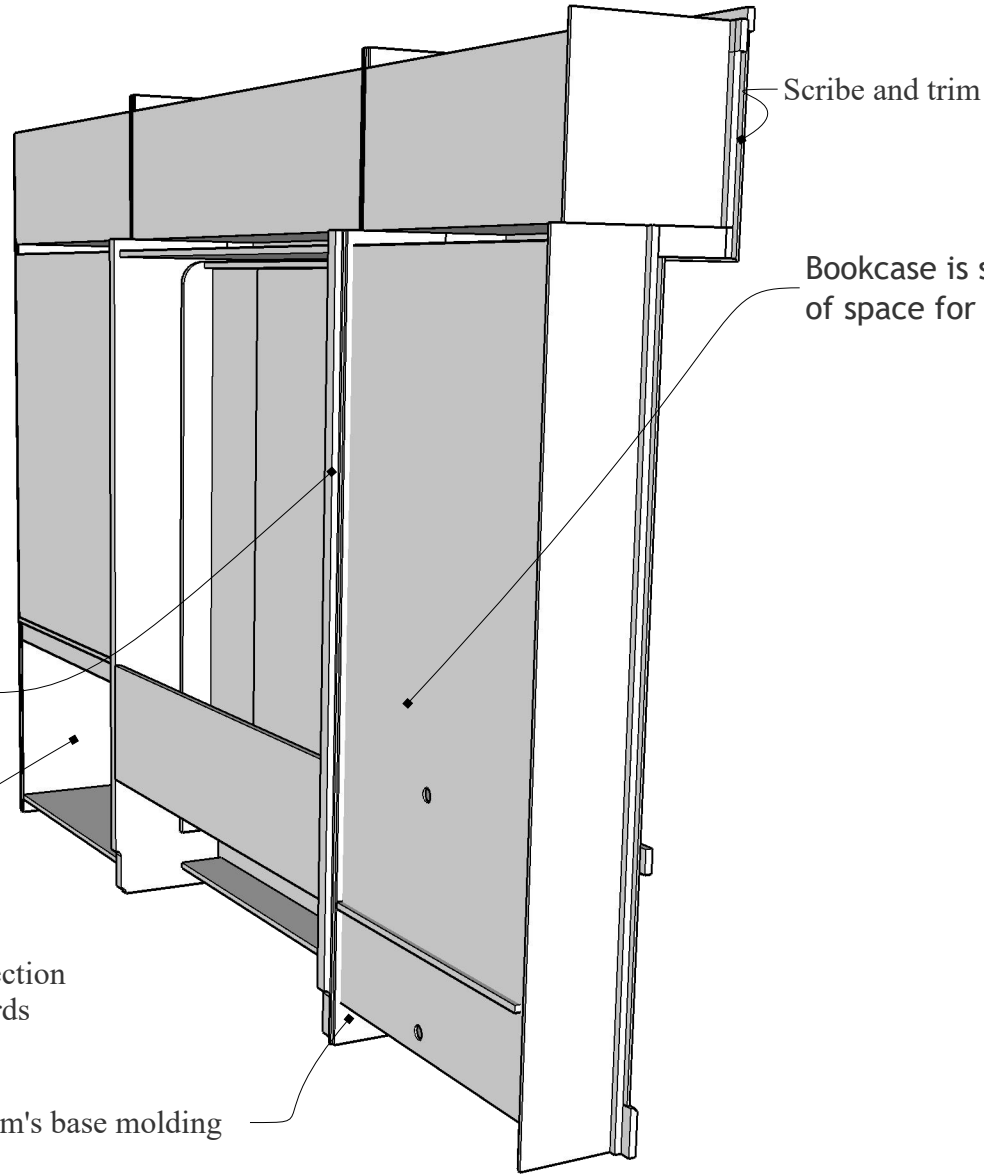
It's like having your own shop!

134-0724
Work Order 1294

REVISIONS

	MM/DD/YY	REMARKS
1	05/28/24	Raised Upper BC, Added top trim, added 3 glass shelves, added 1 BC light, Changed lights/outlets
3		to white, added soft close on lower BC doors/drws,
4	5/30/24	Change left BC depth to 11", Made Bookcase header
5		outset, added doors to the left upper BC.

Base Molding Cutout



Base Molding Cutout



It's like having your own shop!

134-0724
Work Order 1294

REVISIONS

	MM/DD/YY	REMARKS
1	05/28/24	Raised Upper BC, Added top trim, added 3 glass shelves, added 1 BC light, Changed lights/outlets
2		to white, added soft close on lower BC doors/drws,
3		Change left BC depth to 11", Made Bookcase header
4	5/30/24	outset, added doors to the left upper BC.
5		

09

A

Back View

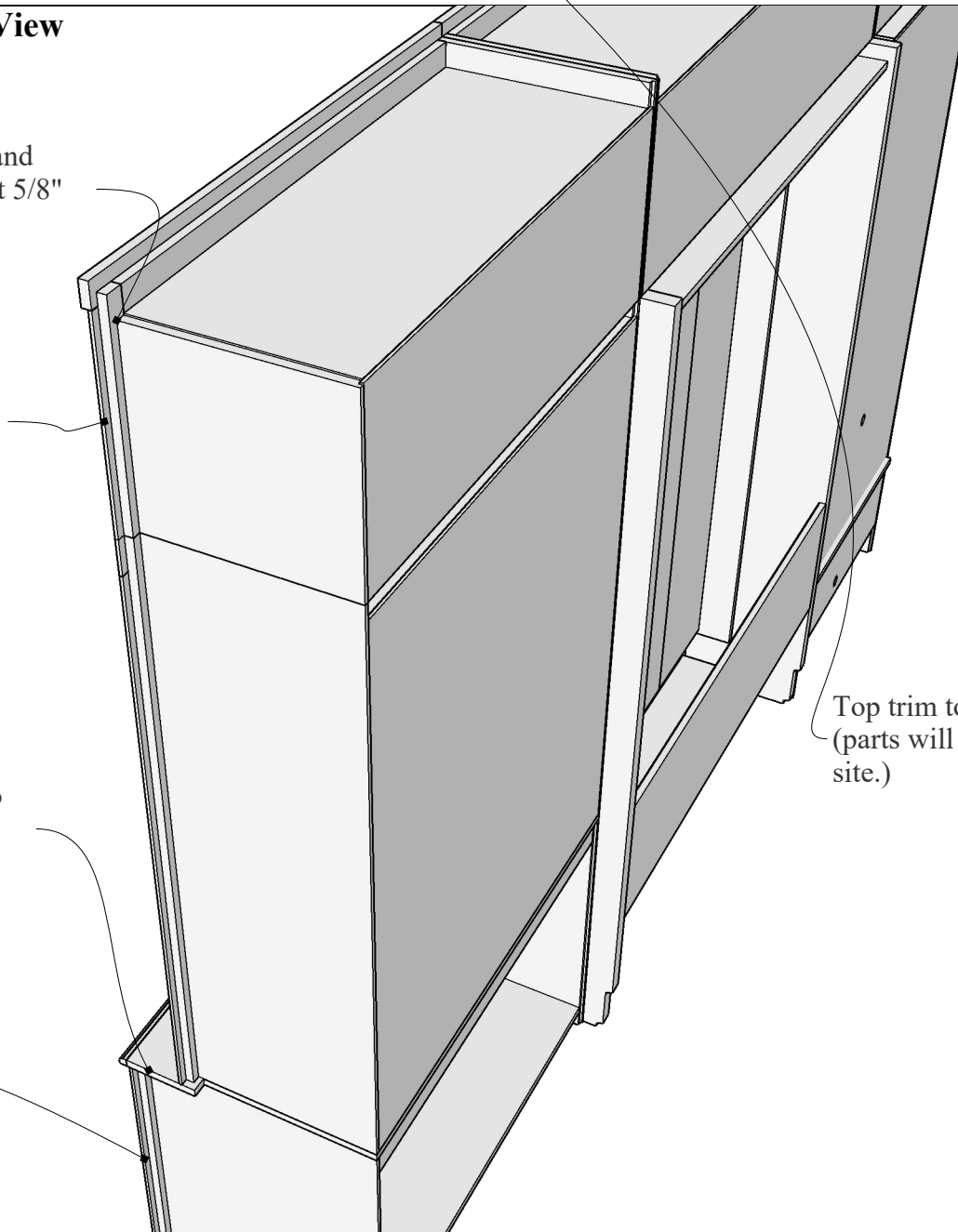
Scribe connected to base board and is designed to come within about 5/8" of the wall.

Trim nailed on to the scribe during installation. Used to close out the gap.

Front section of this shelf is designed to fit tight and may need to be slightly trimmed during installation.

Bottom trim can be cut onsite and made to fit on top of the trim.

Top trim to close out approx. 1" gap. (parts will be left long to be cut on-site.)



Scribe and Trim

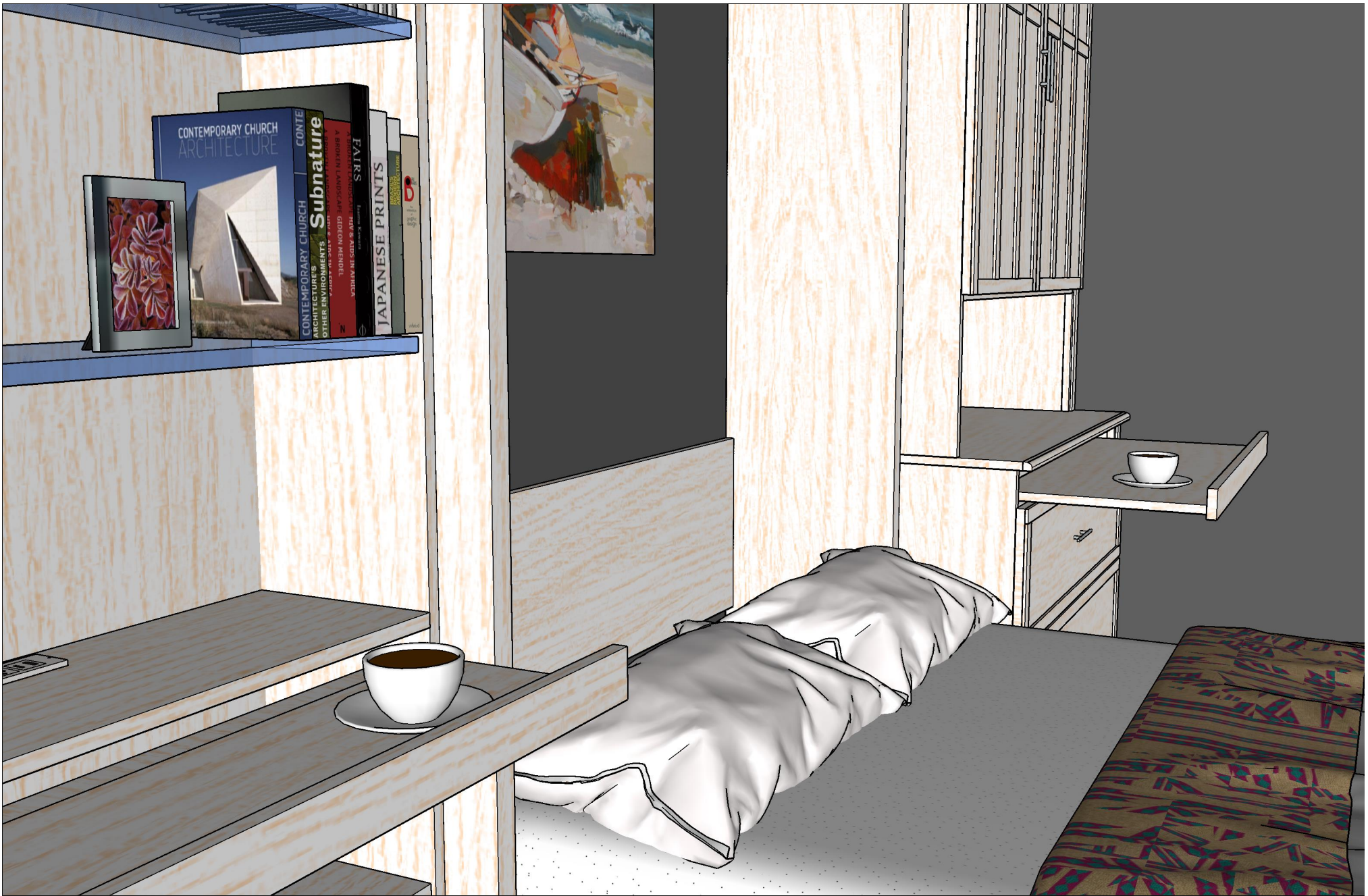


It's like having your own shop!

134-0724
Work Order 1294

REVISIONS

	MM/DD/YY	REMARKS
1	05/28/24	Raised Upper BC, Added top trim, added 3 glass shelves, added 1 BC light, Changed lights/outlets
2		to white, added soft close on lower BC doors/drws,
3		Change left BC depth to 11", Made Bookcase header
4	5/30/24	outset, added doors to the left upper BC.
5		



Drink Trays

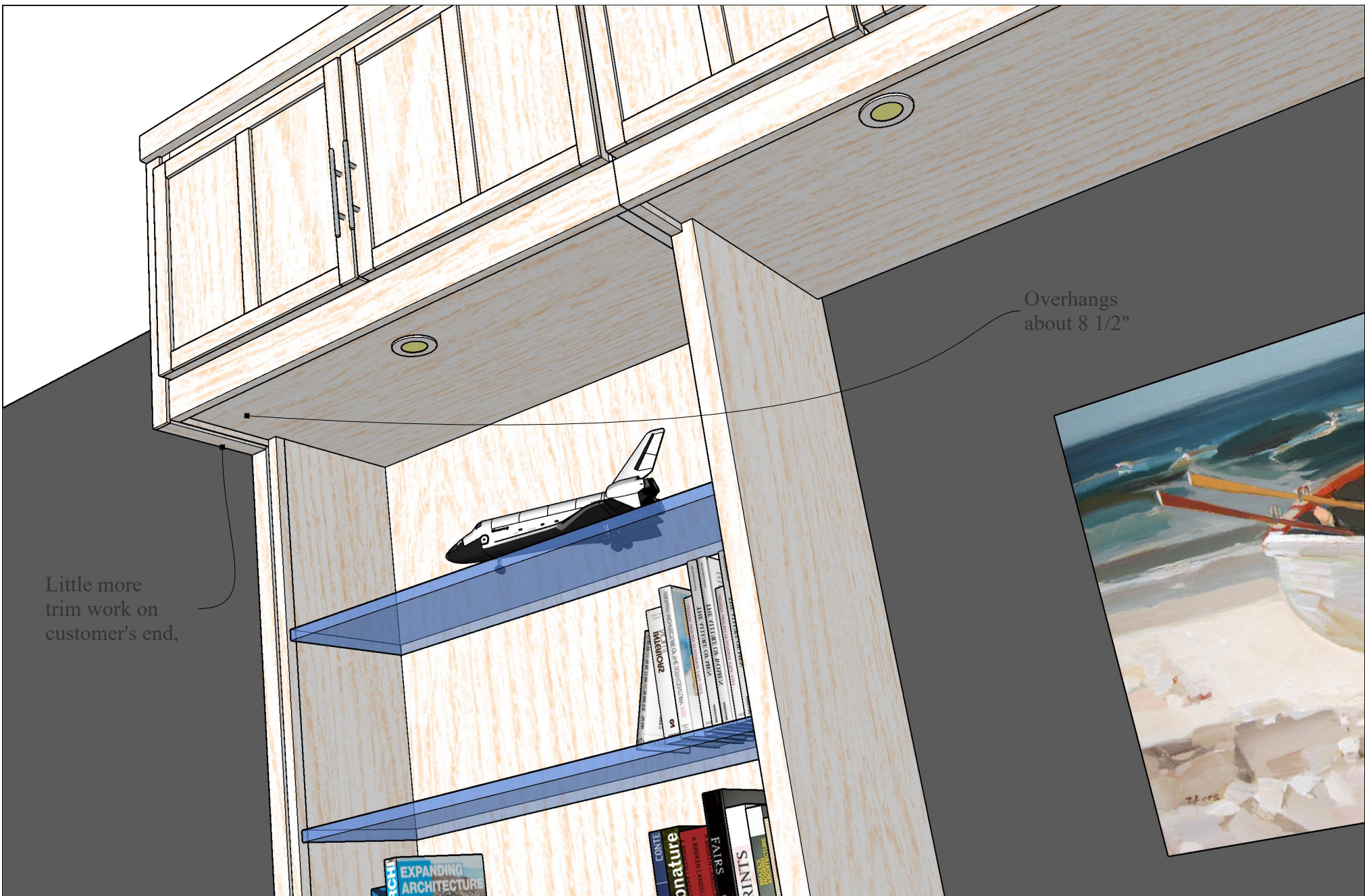


It's like having your own shop!

134-0724
Work Order 1294

REVISIONS

	MM/DD/YY	REMARKS
1	05/28/24	Raised Upper BC, Added top trim, added 3 glass shelves, added 1 BC light, Changed lights/outlets
2		to white, added soft close on lower BC doors/drws,
3		Change left BC depth to 11", Made Bookcase header
4	5/30/24	outset, added doors to the left upper BC.
5		



Little more trim work on customer's end,

Overhangs about 8 1/2"



Bookcase Outset header



It's like having your own shop!

134-0724
Work Order 1294

REVISIONS

	MM/DD/YY	REMARKS
1	05/28/24	Raised Upper BC, Added top trim, added 3 glass shelves, added 1 BC light, Changed lights/outlets
2		
3		to white, added soft close on lower BC doors/drws,
4	5/30/24	Change left BC depth to 11", Made Bookcase header outset, added doors to the left upper BC.
5		



1 Powered USB Port for Charging
Current Sensing USB 2.1 port for devices such as MP3/MP4 players & tablets.

2 In-line Receptacles
Child Safety Locks
Protect the little ones in your family with our patented safety locks that slides into place.

12 AMP Rating

POWER SUPPLY
45 degree offset plug
10 ft. 14-3 power cord

SIDE VIEW
5-1/4" x 1-7/8" Cutout

Under Desk Charging Station



It's like having your own shop!

134-0724
Work Order 1294

REVISIONS

	MM/DD/YY	REMARKS
1	05/28/24	Raised Upper BC, Added top trim, added 3 glass shelves, added 1 BC light, Changed lights/outlets
2		to white, added soft close on lower BC doors/drws,
3		Change left BC depth to 11", Made Bookcase header
4	5/30/24	outset, added doors to the left upper BC.
5		



Bookcase Open



It's like having your own shop!

134-0724
Work Order 1294

REVISIONS

	MM/DD/YY	REMARKS
1	05/28/24	Raised Upper BC, Added top trim, added 3 glass shelves, added 1 BC light, Changed lights/outlets
2		to white, added soft close on lower BC doors/drws,
3		
4	5/30/24	Change left BC depth to 11", Made Bookcase header outset, added doors to the left upper BC.
5		



Bookcase Charging Station



It's like having your own shop!

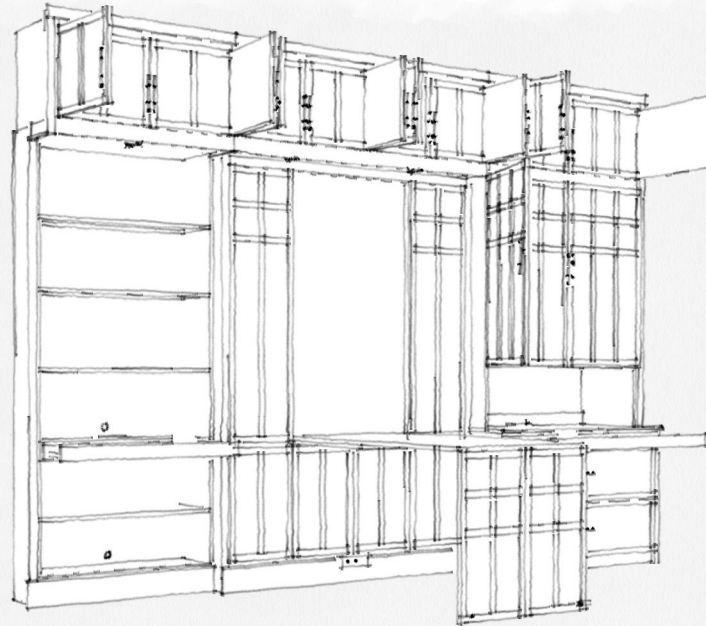
134-0724
Work Order 1294

REVISIONS

	MM/DD/YY	REMARKS
1	05/28/24	Raised Upper BC, Added top trim, added 3 glass shelves, added 1 BC light, Changed lights/outlets
2		to white, added soft close on lower BC doors/drws,
3		Change left BC depth to 11", Made Bookcase header
4	5/30/24	outset, added doors to the left upper BC.
5		

More Extras

More extras can be added to your murphy bed design. Examples of those can be found at:
www.wwbeds.com/murphy-bed-extras



More Extras



It's like having your own shop!

134-0724
 Work Order 1294

REVISIONS

	MM/DD/YY	REMARKS
1	05/28/24	Raised Upper BC, Added top trim, added 3 glass shelves, added 1 BC light, Changed lights/outlets
2		
3		to white, added soft close on lower BC doors/drws,
4	5/30/24	Change left BC depth to 11", Made Bookcase header
5		outset, added doors to the left upper BC.