

Style 123-0925c
Work Order 1506



It's like having your own shop!

Drawn By: Chris Davis

Last Modified: September 3, 2025

Style 123-0925c

Work Order 1506

Wood: Painted Maple

Color: White Lacquer

Size: Queen

Hardware: 16" Black Bar Pulls for the face

6" Black Bar Pulls everywhere else

Info Page



It's like having your own shop!

Style 123-0925c

Work Order 1506

REVISIONS

	MM/DD/YY	REMARKS
1	8/4/25 (R1)	Changed pulls to black
2	9/3/25 (R2)	Changed the monitor
3	--/--/--	...
4	--/--/--	...
5	--/--/--	...

A 02

A

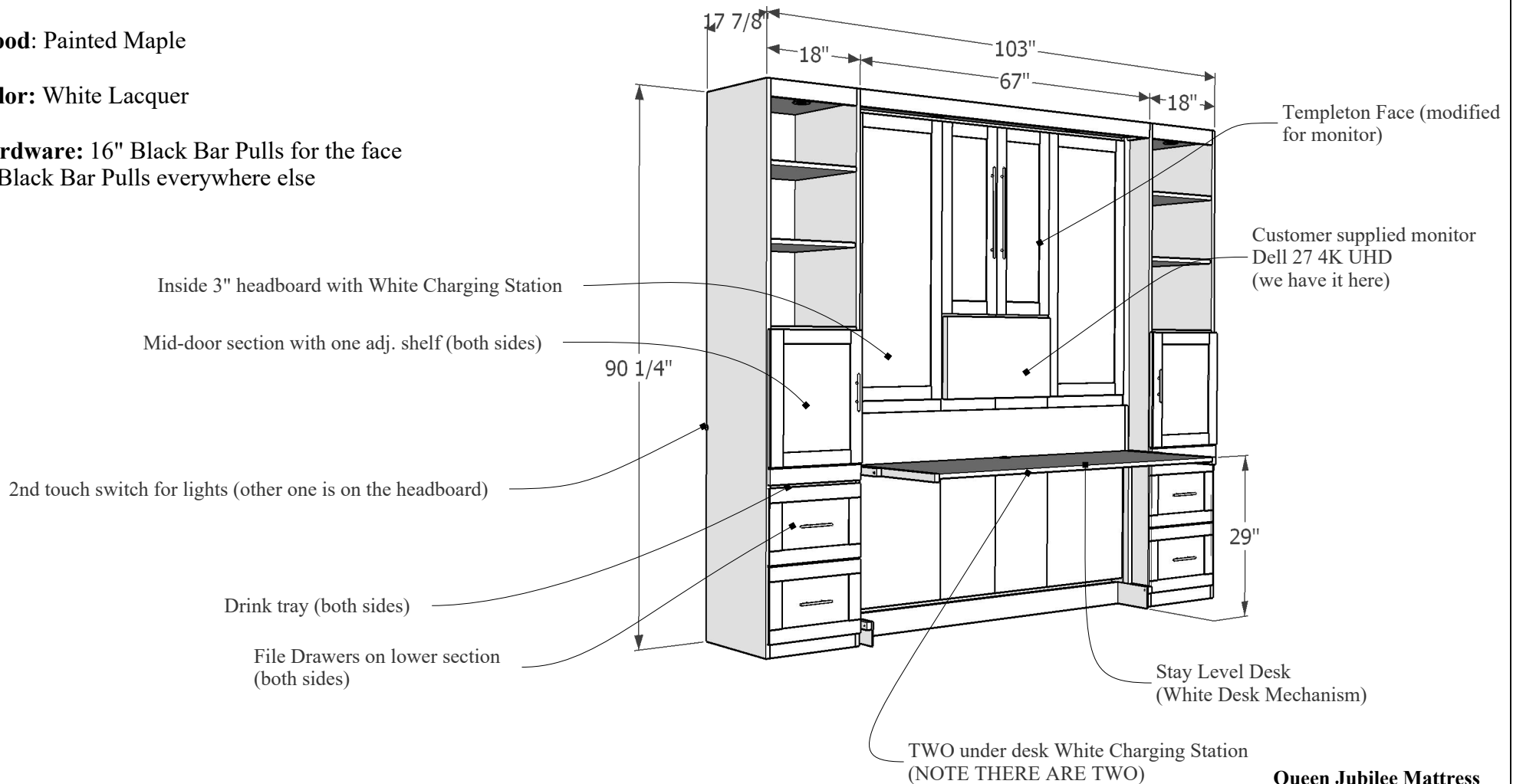
Style 123-0925c
Work Order 1506

Size: Queen

Wood: Painted Maple

Color: White Lacquer

Hardware: 16" Black Bar Pulls for the face
 6" Black Bar Pulls everywhere else



**Queen Jubilee Mattress
 will be sent out with this
 order.**

Main Drawing with Measurements



It's like having your own shop!

Style 123-0925c
 Work Order 1506

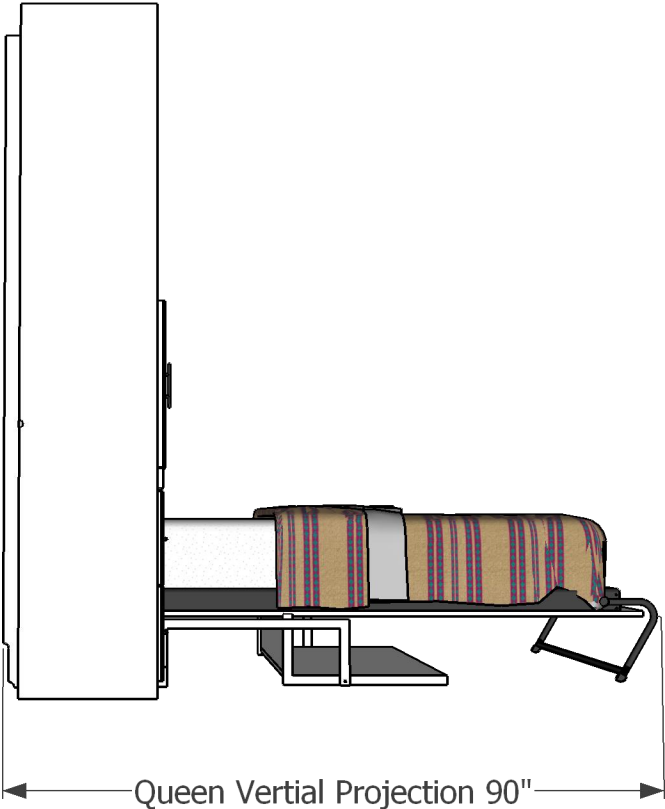
REVISIONS

	MM/DD/YY	REMARKS
1	8/4/25 (R1)	Changed pulls to black
2	9/3/25 (R2)	Changed the monitor
3	--/--/--	...
4	--/--/--	...
5	--/--/--	...

03

A

Style 123-0925c
Work Order 1506
 Queen
 White Lacquer



Drawing Projection



It's like having your own shop!

Style 123-0925c
 Work Order 1506

REVISIONS

	MM/DD/YY	REMARKS
1	8/4/25 (R1)	Changed pulls to black
2	9/3/25 (R2)	Changed the monitor
3	--/--/--	...
4	--/--/--	...
5	--/--/--	...

A 04



Face Closed



It's like having your own shop!

Style 123-0925c
Work Order 1506

REVISIONS

	MM/DD/YY	REMARKS
1	8/4/25 (R1)	Changed pulls to black
2	9/3/25 (R2)	Changed the monitor
3	--/--/--	...
4	--/--/--	...
5	--/--/--	...

05

A



Face Open



It's like having your own shop!

Style 123-0925c
Work Order 1506

REVISIONS

	MM/DD/YY	REMARKS
1	8/4/25 (R1)	Changed pulls to black
2	9/3/25 (R2)	Changed the monitor
3	--/--/--	...
4	--/--/--	...
5	--/--/--	...

06

A



Desk



It's like having your own shop!

Style 123-0925c
Work Order 1506

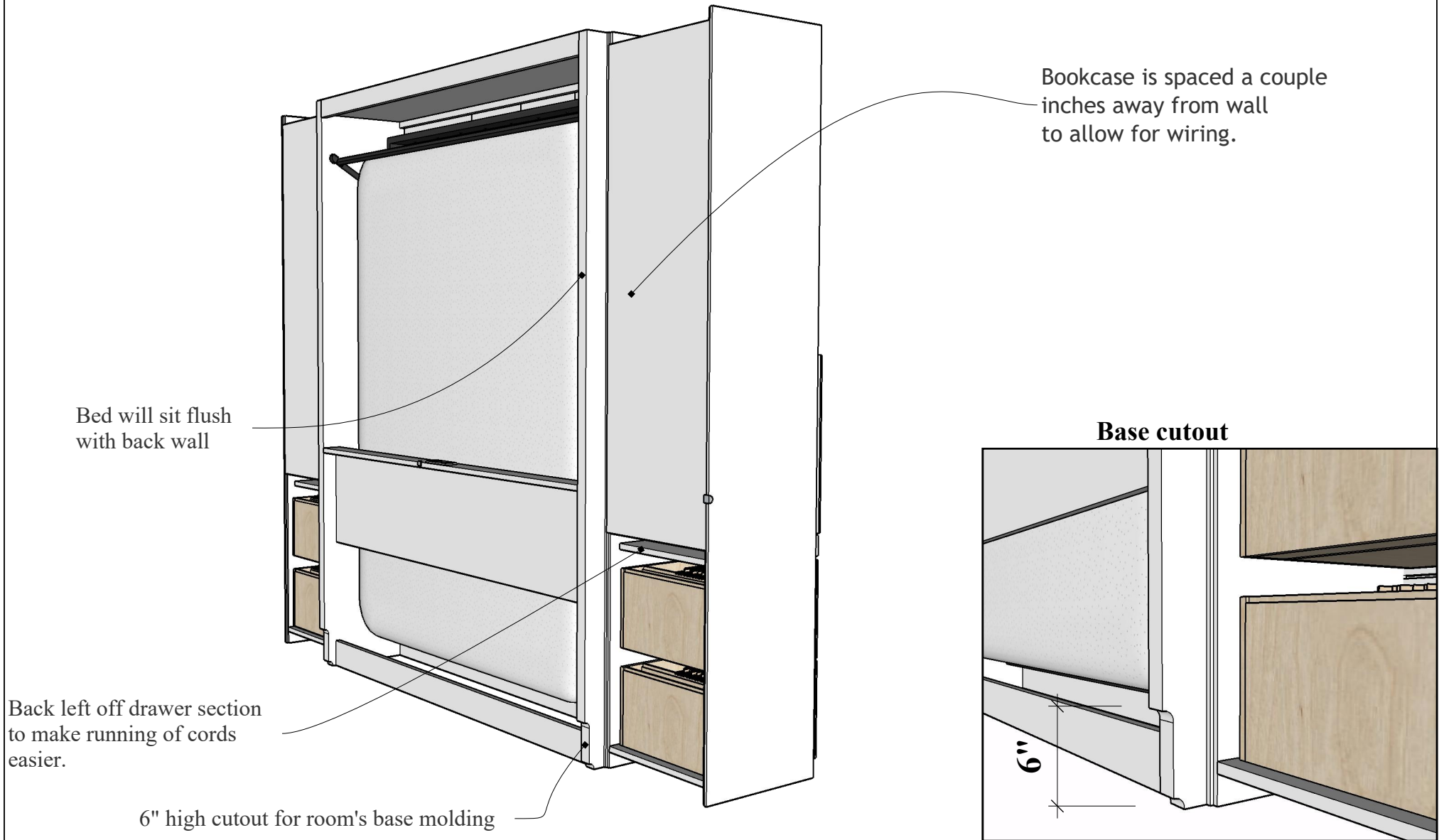
REVISIONS

	MM/DD/YY	REMARKS
1	8/4/25 (R1)	Changed pulls to black
2	9/3/25 (R2)	Changed the monitor
3	--/--/--	...
4	--/--/--	...
5	--/--/--	...

07

A

Base Molding Cutout



Base Molding Cutout



It's like having your own shop!

Style 123-0925c
Work Order 1506

REVISIONS

	MM/DD/YY	REMARKS
1	8/4/25 (R1)	Changed pulls to black
2	9/3/25 (R2)	Changed the monitor
3	--/--/--	...
4	--/--/--	...
5	--/--/--	...

08

A



Drink Trays



It's like having your own shop!

Style 123-0925c
Work Order 1506

REVISIONS

	MM/DD/YY	REMARKS
1	8/4/25 (R1)	Changed pulls to black
2	9/3/25 (R2)	Changed the monitor
3	--/--/--	...
4	--/--/--	...
5	--/--/--	...

09

A



Bookcase LED Lights White Frame
(both sides)

Outset LED Lights White Frame

Lights



It's like having your own shop!

Style 123-0925c
Work Order 1506

REVISIONS

	MM/DD/YY	REMARKS
1	8/4/25 (R1)	Changed pulls to black
2	9/3/25 (R2)	Changed the monitor
3	--/--/--	...
4	--/--/--	...
5	--/--/--	...

10

A



Under Desk Charging Station



It's like having your own shop!

Style 123-0925c
Work Order 1506

REVISIONS

	MM/DD/YY	REMARKS
1	8/4/25 (R1)	Changed pulls to black
2	9/3/25 (R2)	Changed the monitor
3	--/--/--	...
4	--/--/--	...
5	--/--/--	...



Bookcase Open



It's like having your own shop!

Style 123-0925c
Work Order 1506

REVISIONS

	MM/DD/YY	REMARKS
1	8/4/25 (R1)	Changed pulls to black
2	9/3/25 (R2)	Changed the monitor
3	--/--/--	...
4	--/--/--	...
5	--/--/--	...



Bookcase Drawer

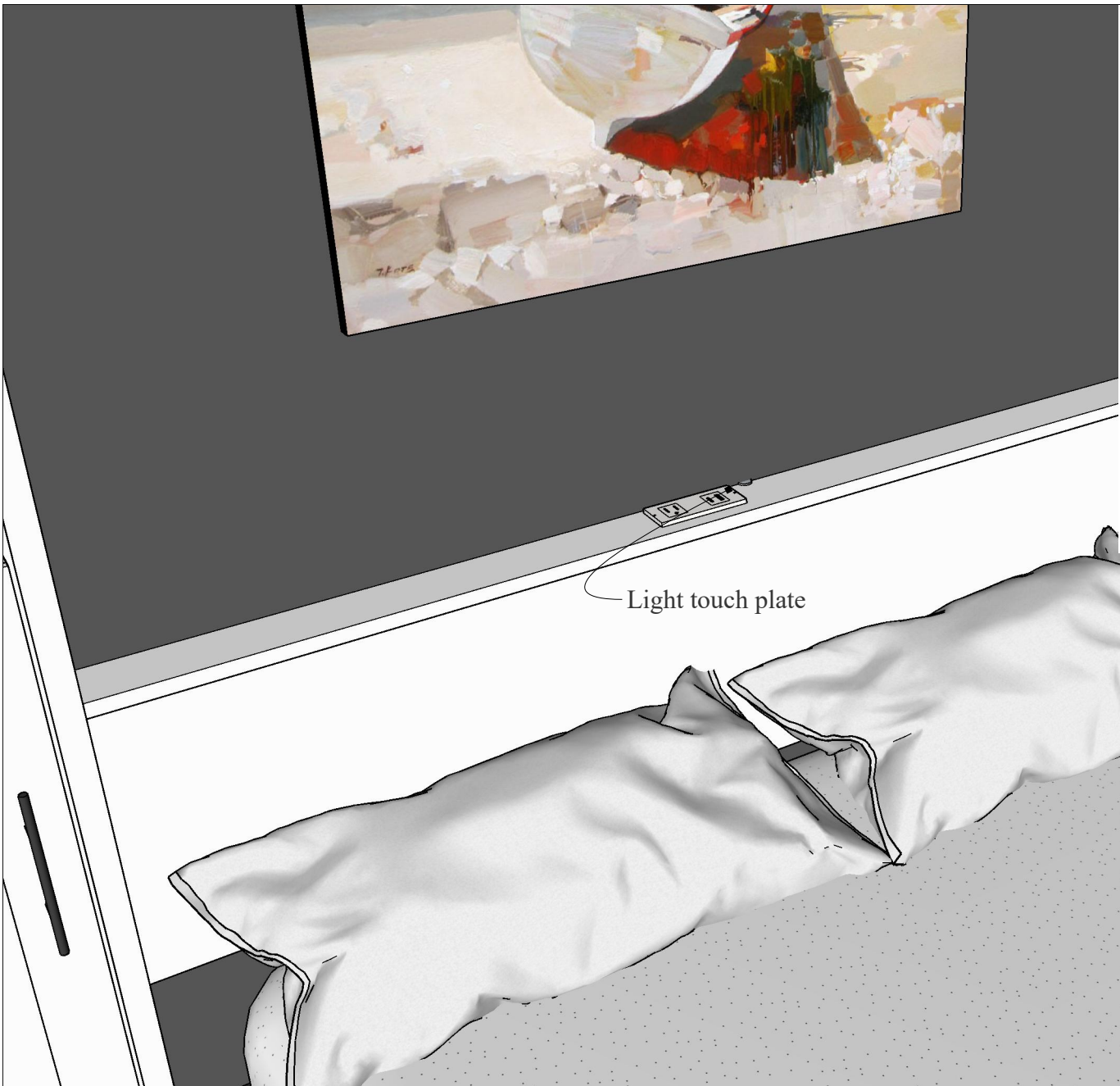


It's like having your own shop!

Style 123-0925c
Work Order 1506

REVISIONS

	MM/DD/YY	REMARKS
1	8/4/25 (R1)	Changed pulls to black
2	9/3/25 (R2)	Changed the monitor
3	--/--/--	...
4	--/--/--	...
5	--/--/--	...



Light touch plate



Headboard



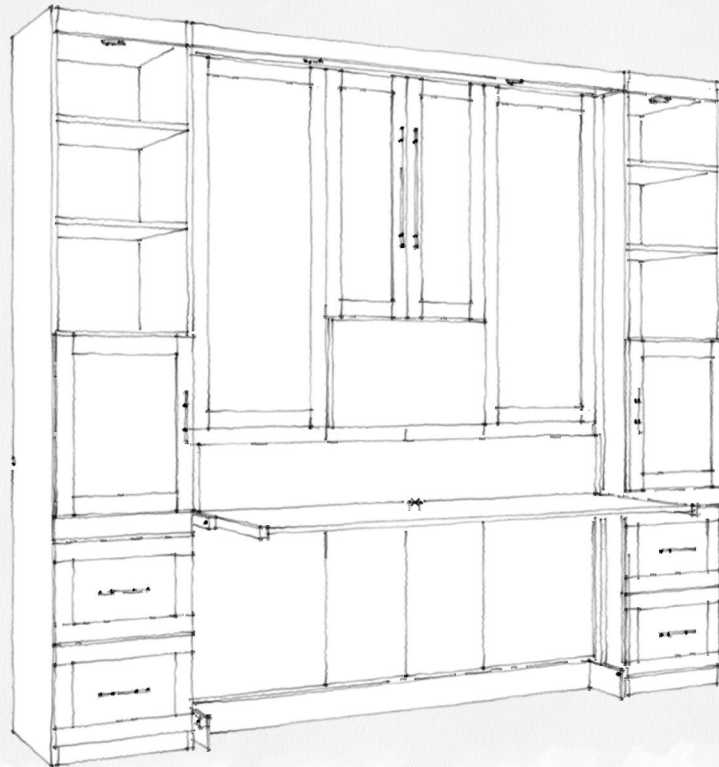
It's like having your own shop!
 Style 123-0925c
 Work Order 1506

REVISIONS		
	MM/DD/YY	REMARKS
1	8/4/25 (R1)	Changed pulls to black
2	9/3/25 (R2)	Changed the monitor
3	--/--/--	...
4	--/--/--	...
5	--/--/--	...

More Extras

More extras can be added to your murphy bed design. Examples of those can be found at:

www.wwbeds.com/murphy-bed-extras



More Extras



It's like having your own shop!

Style 123-0925c
Work Order 1506

REVISIONS

	MM/DD/YY	REMARKS
1	8/4/25 (R1)	Changed pulls to black
2	9/3/25 (R2)	Changed the monitor
3	--/--/--	...
4	--/--/--	...
5	--/--/--	...

Build | White Board

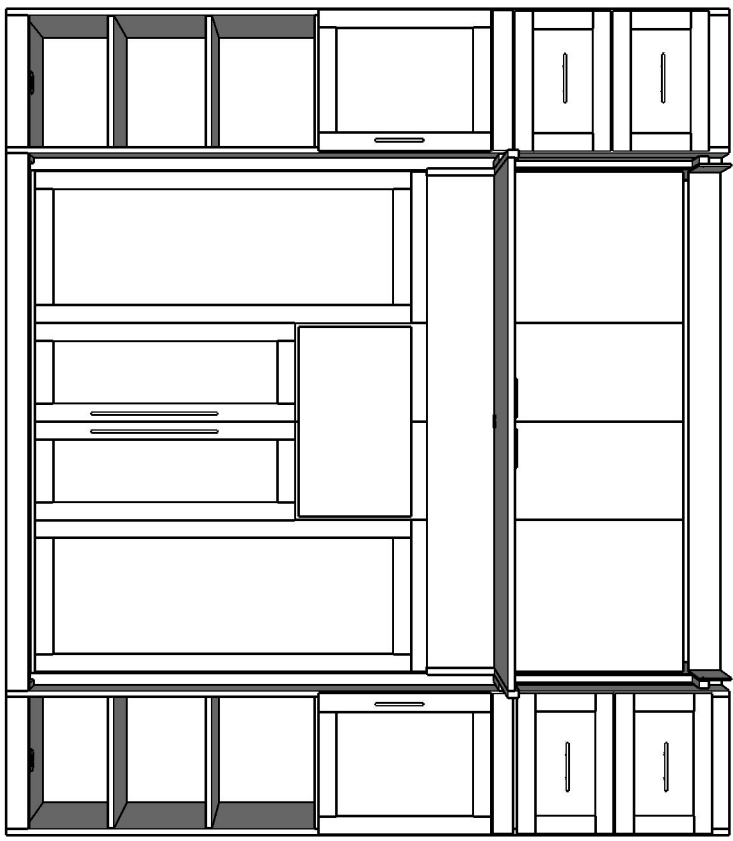
Size: Queen **Wood:** Painted Maple **Color:** White Lacquer

Style 123-0925c Work Order 1506

CNC Changes

NOTES:

.



Build Department

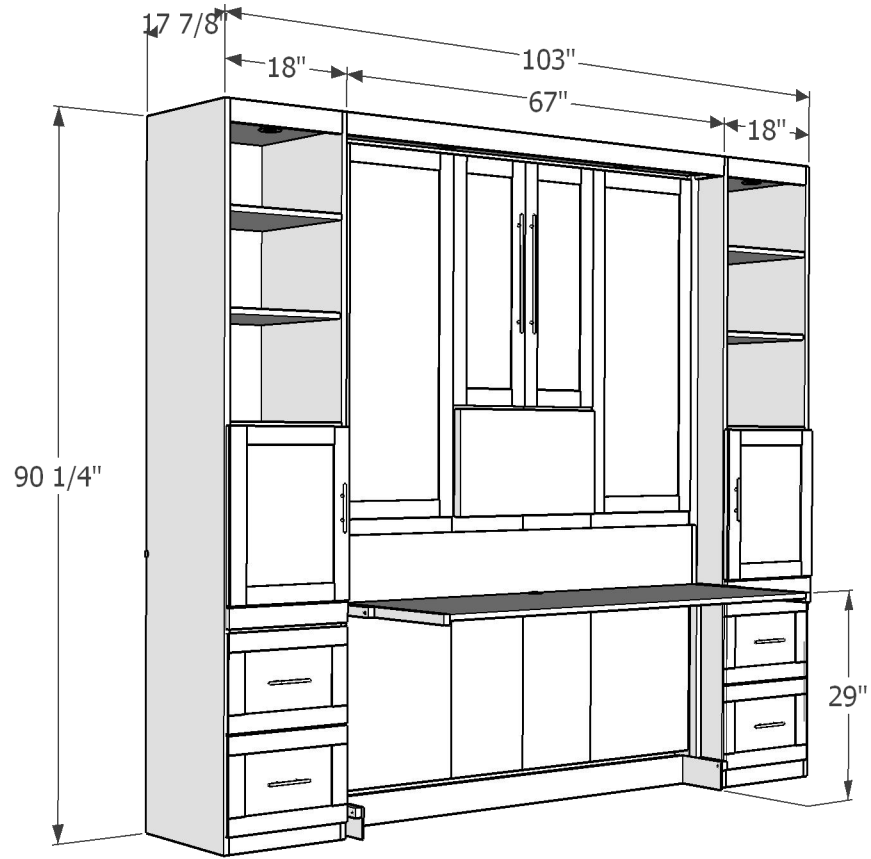
Style 123-0925c
Work Order 1506

Size: Queen

Wood: Painted Maple

Color: White Lacquer

Hardware: 16" Black Bar Pulls for the face
 6" Black Bar Pulls everywhere else



Build Department



It's like having your own shop!

Style 123-0925c
 Work Order 1506

REVISIONS

	MM/DD/YY	REMARKS
1	8/4/25 (R1)	Changed pulls to black
2	9/3/25 (R2)	Changed the monitor
3	--/--/--	...
4	--/--/--	...
5	--/--/--	...

Crown Molding (Rough cut is on the outside)

Number of support blocks:
 ## One Sided
 ## Two Sided
 (Mark nail line and drill)

20 1/2

20 1/2"

26 1/2"

Queen 3 1/4" crown with 1" offset add 8" (Cut 75")
 King 3 1/4" crown with 1" offset add 8" (Cut 91")
 Queen 3 1/4" crown add 5" (Cut 72")
 King 3 1/4" crown add 5" (Cut 88")

26 1/2"

Cut list Crown:
 1 - ?? x ??
 2 - ?? x ??
 2 - ?? x ??
 2 - ?? x ??

Base Molding (Rough cut is on the outside)
 (1 1/2" for each outside miter)

19 1/2

19 1/2"

25 1/2

25 1/2"

Cut list BAse:
 1 - ?? x ??
 2 - ?? x ??
 2 - ?? x ??

Build Crown and Base



It's like having your own shop!

Style 123-0925c
 Work Order 1506

REVISIONS

	MM/DD/YY	REMARKS
1	8/4/25 (R1)	Changed pulls to black
2	9/3/25 (R2)	Changed the monitor
3	--/--/--	...
4	--/--/--	...
5	--/--/--	...

Style 123-0925c
 Work Order 1506
 Queen
 White Lacquer

Build Assembly Department

Hardware: 16" Black Bar Pulls for the face
 6" Black Bar Pulls everywhere else

Upper Bookcase Doors:
Up/down: Top hole at 4" from Bottom
Left/Right: Centered on molding.

Face Hardware (Queen/King):
Up/Down (top hole at 16" from top)

 Left/Right Centered on molding.

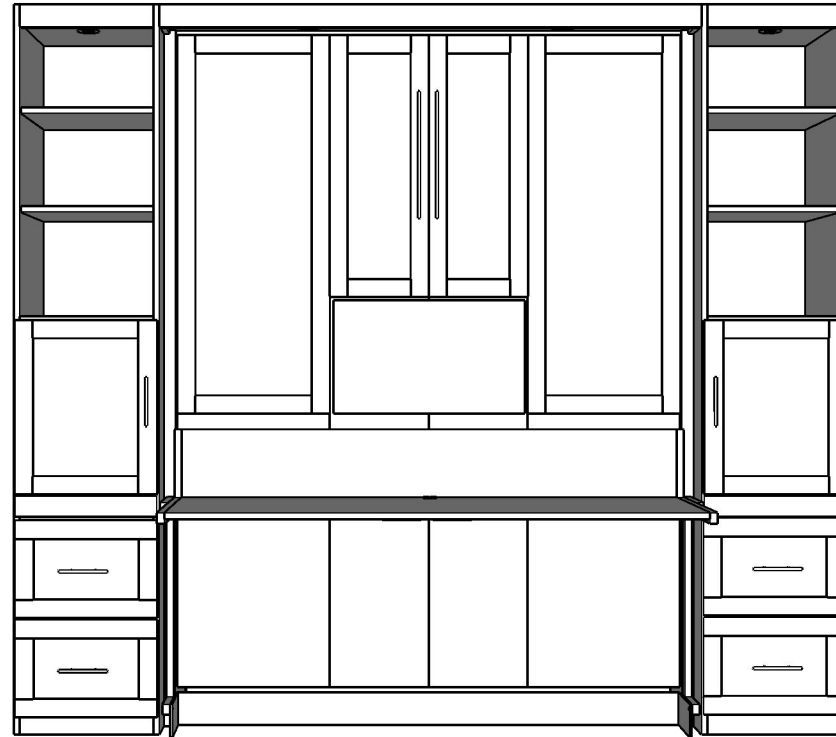
Mid Door Hardware:
Up/down: Centered

Left/Right: Centered on molding.

Lower Door Hardware:
Up/down: Top hole at 4" from top

Left/Right: Centered on molding.

Drawers:
Up/down: Centered
Left/Right: Centered



Build Hardware



It's like having your own shop!

Style 123-0925c
 Work Order 1506

REVISIONS

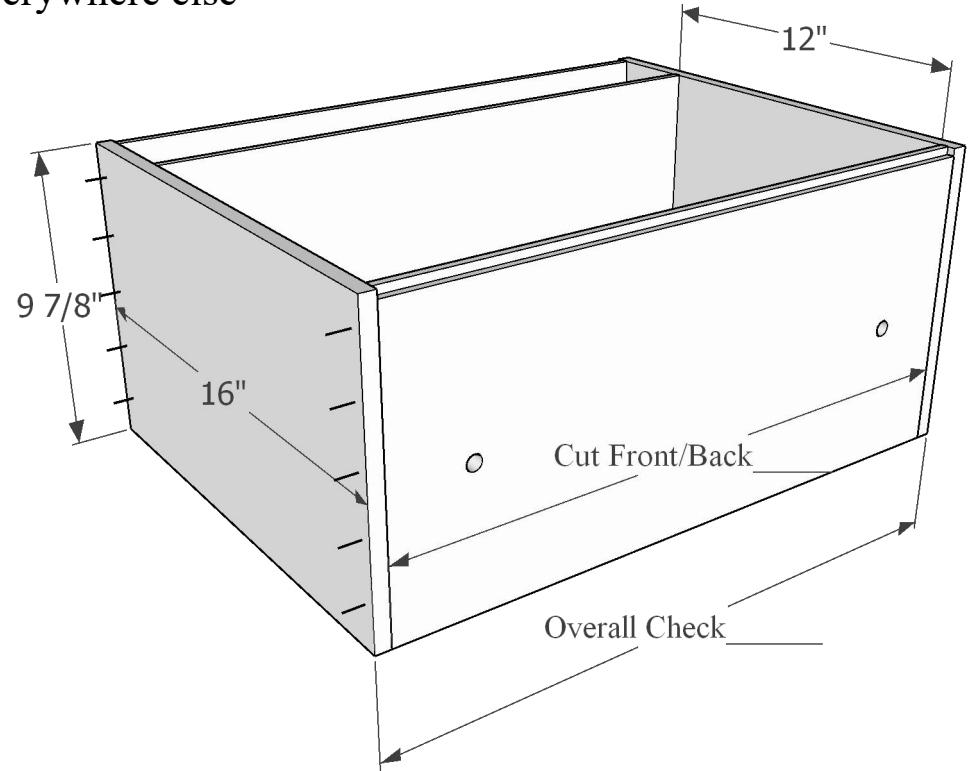
	MM/DD/YY	REMARKS
1	8/4/25 (R1)	Changed pulls to black
2	9/3/25 (R2)	Changed the monitor
3	--/--/--	...
4	--/--/--	...
5	--/--/--	...

Style 123-0925c
 Work Order 1506
 Queen
 White Lacquer

Build Assembly Department

Hardware: 16" Black Bar Pulls for the face
 6" Black Bar Pulls everywhere else

Overall width Check _____
 *Since the material is not exactly 1/2", assuming 1/2" may
 make the drawer be too wide or too small



Build Drawer Box



It's like having your own shop!

Style 123-0925c
 Work Order 1506

REVISIONS

	MM/DD/YY	REMARKS
1	8/4/25 (R1)	Changed pulls to black
2	9/3/25 (R2)	Changed the monitor
3	--/--/--	...
4	--/--/--	...
5	--/--/--	...

Style 123-0925c
Work Order 1506

Build Checklist

Phase 1

4 Panel Face with Desk

- 4 Faces (Banded on correct sides?)
- 2 Verticals (on legs?)
- 1 Headboard (on legs?)
- 1 Header (on legs?)
- 2 Bottom 4" Base (on legs?)
- 1 Desk Riser
- 1 Desk Board
- 1 Crown Molding
- Hardware Holes Drilled?
-
-
-
-
- Ready to finish?

Signed off by: _____

Phase 2

Bookcases

- 2 Cabinets
- 2 Backs
- 2/4 Doors
- 2 Trays
- 4 Drawer Fronts
- 6 Adj. Shelves
- 1 Crown Molding
- 1 Base Molding (On bookcase)
- 1 Printer Pullout
- Charging Station cut?
- Lights Cut?
- Are Drawer Boxes Cut?
- Hardware Holes Drilled?
-
-
-
-
- Ready to finish?

Signed off by: _____

Build Checklist



It's like having your own shop!

Style 123-0925c
Work Order 1506

REVISIONS

	MM/DD/YY	REMARKS
1	8/4/25 (R1)	Changed pulls to black
2	9/3/25 (R2)	Changed the monitor
3	--/--/--	...
4	--/--/--	...
5	--/--/--	...

Finish Department

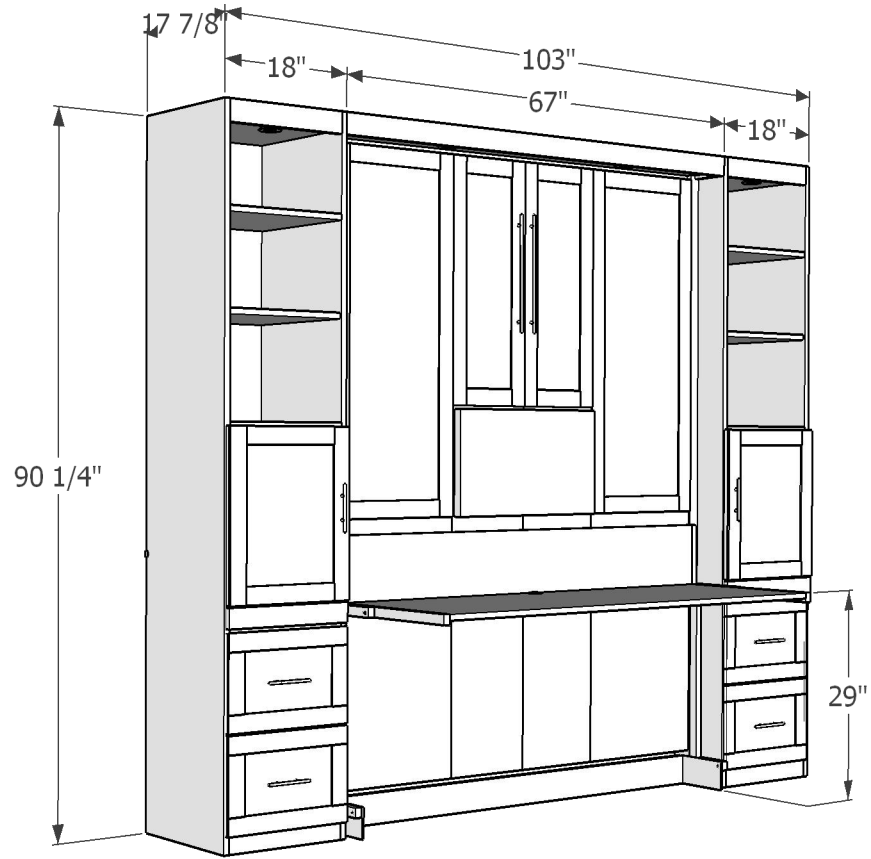
Style 123-0925c
Work Order 1506

Size: Queen

Wood: Painted Maple

Color: White Lacquer

Hardware: 16" Black Bar Pulls for the face
 6" Black Bar Pulls everywhere else



Finish Department



It's like having your own shop!

Style 123-0925c
 Work Order 1506

REVISIONS

	MM/DD/YY	REMARKS
1	8/4/25 (R1)	Changed pulls to black
2	9/3/25 (R2)	Changed the monitor
3	--/--/--	...
4	--/--/--	...
5	--/--/--	...

Finish Checklist

Phase 1

4 Panel Face with Desk

- 4 Faces (Banded on correct sides?)
- 2 Verticals (on legs?)
- 1 Headboard (on legs?)
- 1 Header (on legs?)
- 2 Bottom 4" Base (on legs?)
- 1 Desk Riser
- 1 Desk Board
- 1 Crown Molding
- Hardware Holes Drilled?
-
-
-
-
- Ready to finish?

Signed off by: _____

Phase 2

Bookcases

- 2 Cabinets
- 2 Backs
- 2/4 Doors
- 2 Trays
- 4 Drawer Fronts
- 6 Adj. Shelves
- 1 Crown Molding
- 1 Base Molding (On bookcase)
- 1 Printer Pullout
- Charging Station cut?
- Lights Cut?
- Are Drawer Boxes Cut?
- Hardware Holes Drilled?
-
-
-
-
- Ready to finish?

Signed off by: _____

Finish Checklist



It's like having your own shop!

Style 123-0925c
Work Order 1506

REVISIONS

	MM/DD/YY	REMARKS
1	8/4/25 (R1)	Changed pulls to black
2	9/3/25 (R2)	Changed the monitor
3	--/--/--	...
4	--/--/--	...
5	--/--/--	...

Final Assembly/Boxing

Style 123-0925c
Work Order 1506

Size: Queen

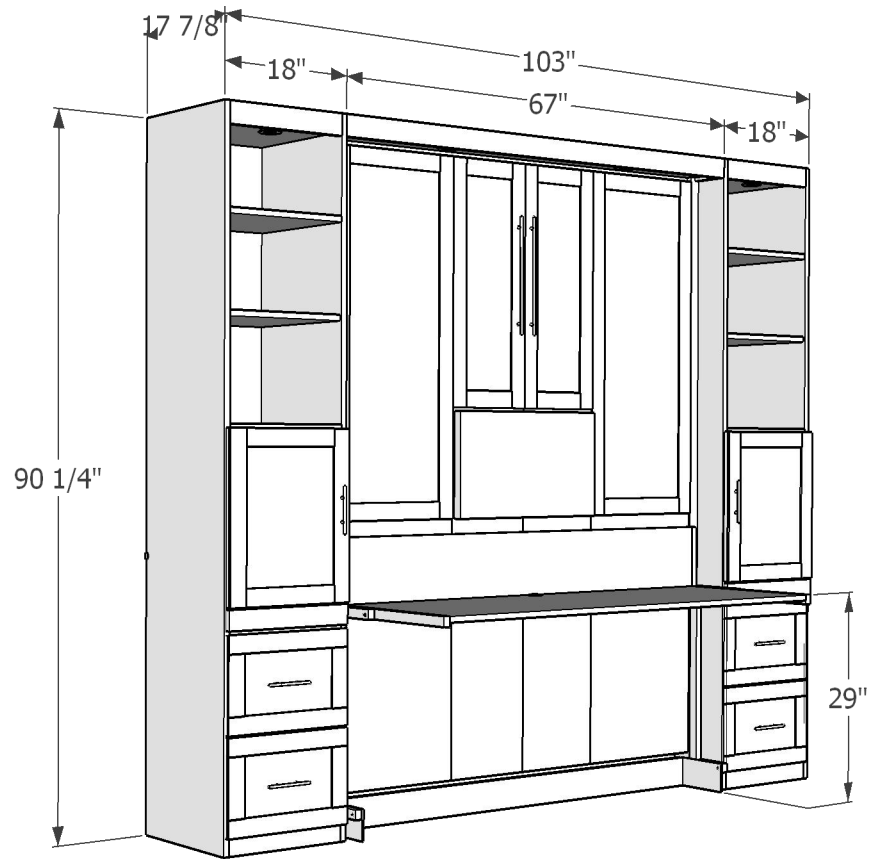
Wood: Painted Maple

Color: White Lacquer

Hardware: 16" Black Bar Pulls for the face
6" Black Bar Pulls everywhere else

Rail sizes:
##"

Springs:
each side
*If even number skip middle.



Final Assembly/Boxing



It's like having your own shop!

Style 123-0925c
Work Order 1506

REVISIONS

	MM/DD/YY	REMARKS
1	8/4/25 (R1)	Changed pulls to black
2	9/3/25 (R2)	Changed the monitor
3	--/--/--	...
4	--/--/--	...
5	--/--/--	...