

123-0524
Work Order 1275



It's like having your own shop!

Drawn By: Chris Davis

Last Modified: April 25, 2024

123-0524

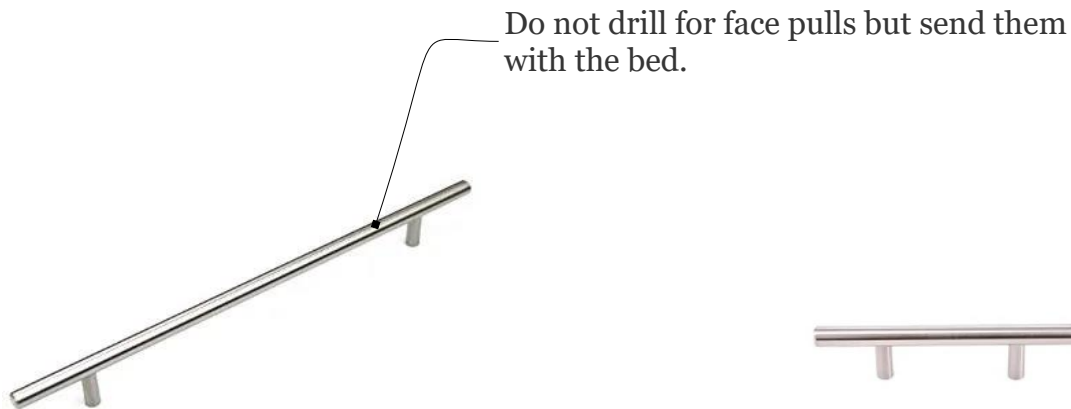
Work Order 1275

Wood: Maple

Color: White Lacquer/Unfinished Maple

Size: Queen

Hardware: No Hardware for face
6" Nickel Bar Pulls everywhere else



16" Bar Pulls
Nickel

6" Bar Pulls
Nickel

Info Page



It's like having your own shop!

123-0524
Work Order 1275

REVISIONS

	MM/DD/YY	REMARKS
1	4/25/24	Add outlets in desk and both bookcases.
2		Update the color to white except for parts of desk
3		Add locks to top two drawers.
4		Add 3 drawers to desk.
5	--/--/--	...

A 02

A

123-0524
Work Order 1275

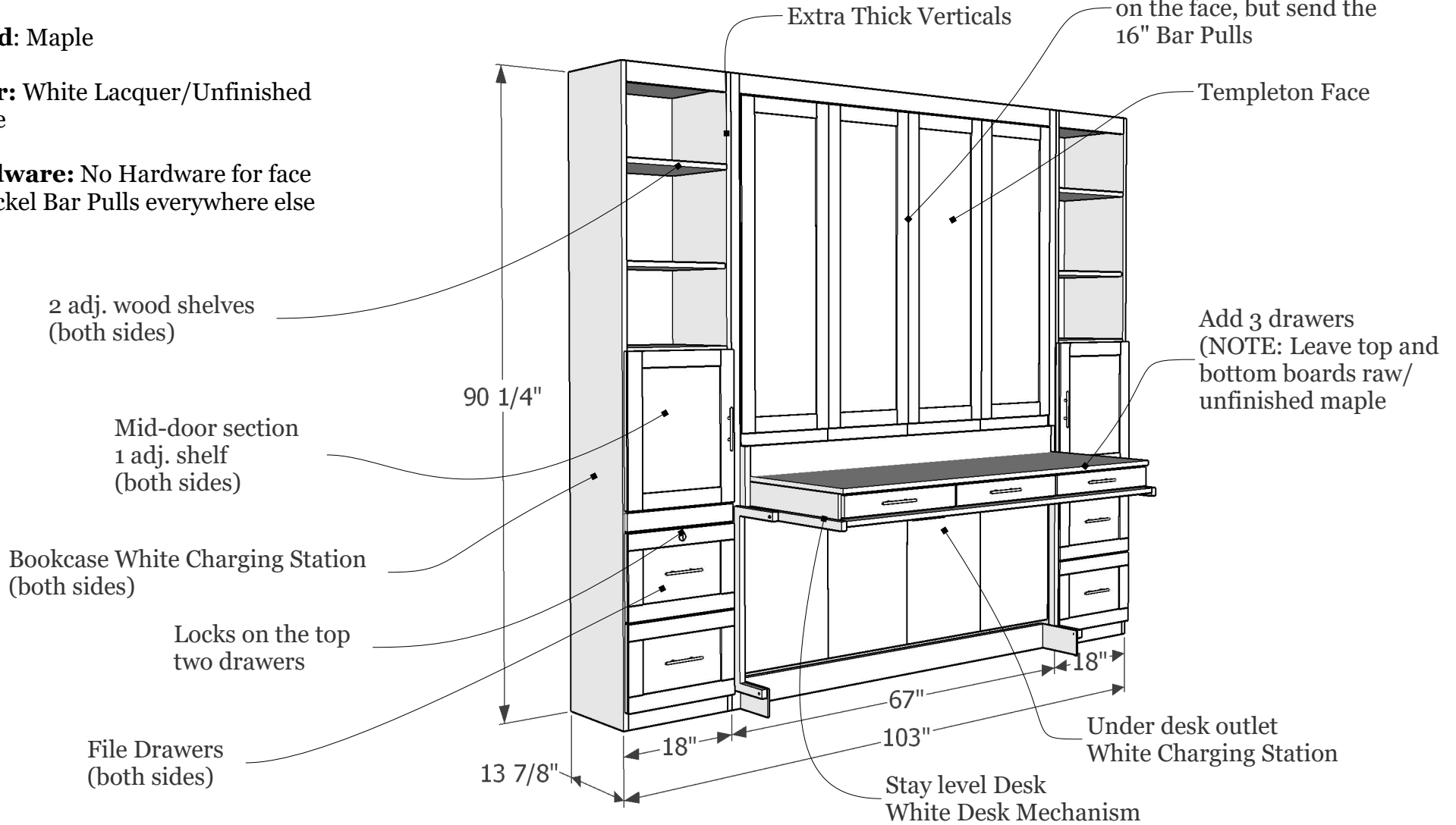
Size: Queen

Wood: Maple

Color: White Lacquer/Unfinished Maple

Hardware: No Hardware for face
 6" Nickel Bar Pulls everywhere else

NOTE: Do not drill hardware on the face, but send the 16" Bar Pulls



Main Drawing with Measurements



It's like having your own shop!

123-0524
 Work Order 1275

REVISIONS

	MM/DD/YY	REMARKS
1	4/25/24	Add outlets in desk and both bookcases.
2		Update the color to white except for parts of desk
3		Add locks to top two drawers.
4		Add 3 drawers to desk.
5	--/--/--	...

03

A

123-0524
Work Order 1275
 Queen
 White Lacquer/Unfinished Maple



Drawing Projection



It's like having your own shop!

123-0524
 Work Order 1275

REVISIONS

	MM/DD/YY	REMARKS
1	4/25/24	Add outlets in desk and both bookcases.
2		Update the color to white except for parts of desk
3		Add locks to top two drawers.
4		Add 3 drawers to desk.
5	--/--/--	...

A 04

A



Face Closed



It's like having your own shop!

123-0524
Work Order 1275

REVISIONS

	MM/DD/YY	REMARKS
1	4/25/24	Add outlets in desk and both bookcases.
2		Update the color to white except for parts of desk
3		Add locks to top two drawers.
4		Add 3 drawers to desk.
5	--/--/--	...

05

A



Face Open



It's like having your own shop!

123-0524
Work Order 1275

REVISIONS

	MM/DD/YY	REMARKS
1	4/25/24	Add outlets in desk and both bookcases.
2		Update the color to white except for parts of desk
3		Add locks to top two drawers.
4		Add 3 drawers to desk.
5	--/--/--	...

06

A



Desk



It's like having your own shop!

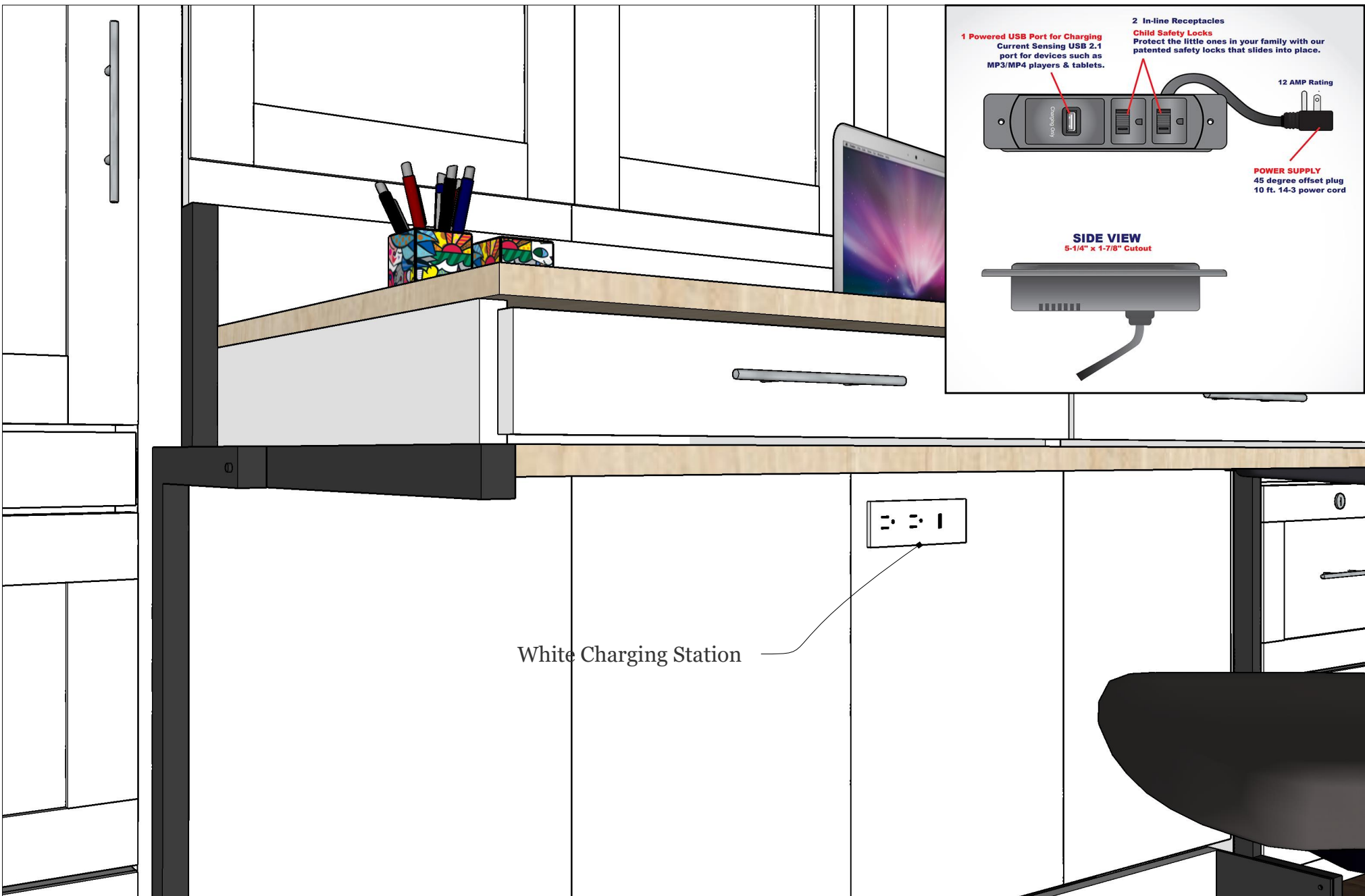
123-0524
Work Order 1275

REVISIONS

	MM/DD/YY	REMARKS
1	4/25/24	Add outlets in desk and both bookcases.
2		Update the color to white except for parts of desk
3		Add locks to top two drawers.
4		Add 3 drawers to desk.
5	--/--/--	...

07

A



White Charging Station

Desk outlet



It's like having your own shop!

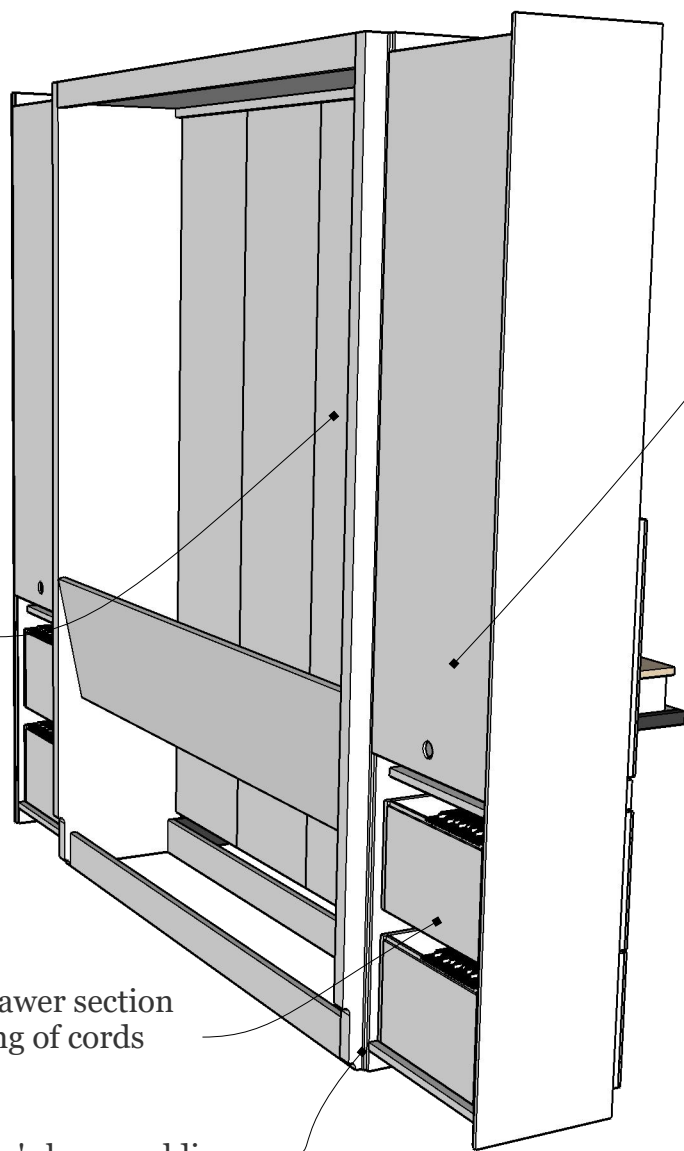
123-0524
Work Order 1275

REVISIONS

	MM/DD/YY	REMARKS
1	4/25/24	Add outlets in desk and both bookcases.
2		Update the color to white except for parts of desk
3		Add locks to top two drawers.
4		Add 3 drawers to desk.
5	--/--/--	...

08
A

Base Molding Cutout



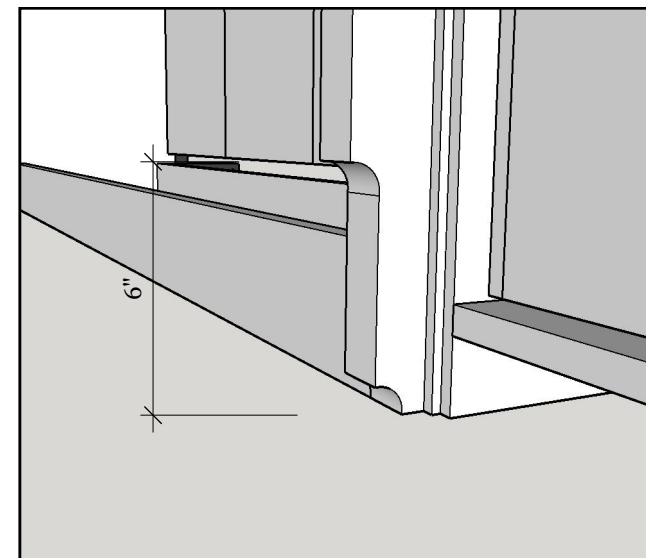
Bed will sit flush with back wall

Bookcase is spaced a couple inches away from wall to allow for wiring.

Back left off drawer section to make running of cords easier.

6" high cutout for room's base molding

Base cutout



Base Molding Cutout



It's like having your own shop!

123-0524
Work Order 1275

REVISIONS

	MM/DD/YY	REMARKS
1	4/25/24	Add outlets in desk and both bookcases.
2		Update the color to white except for parts of desk
3		Add locks to top two drawers.
4		Add 3 drawers to desk.
5	--/--/--	...

09

A



Drink Trays

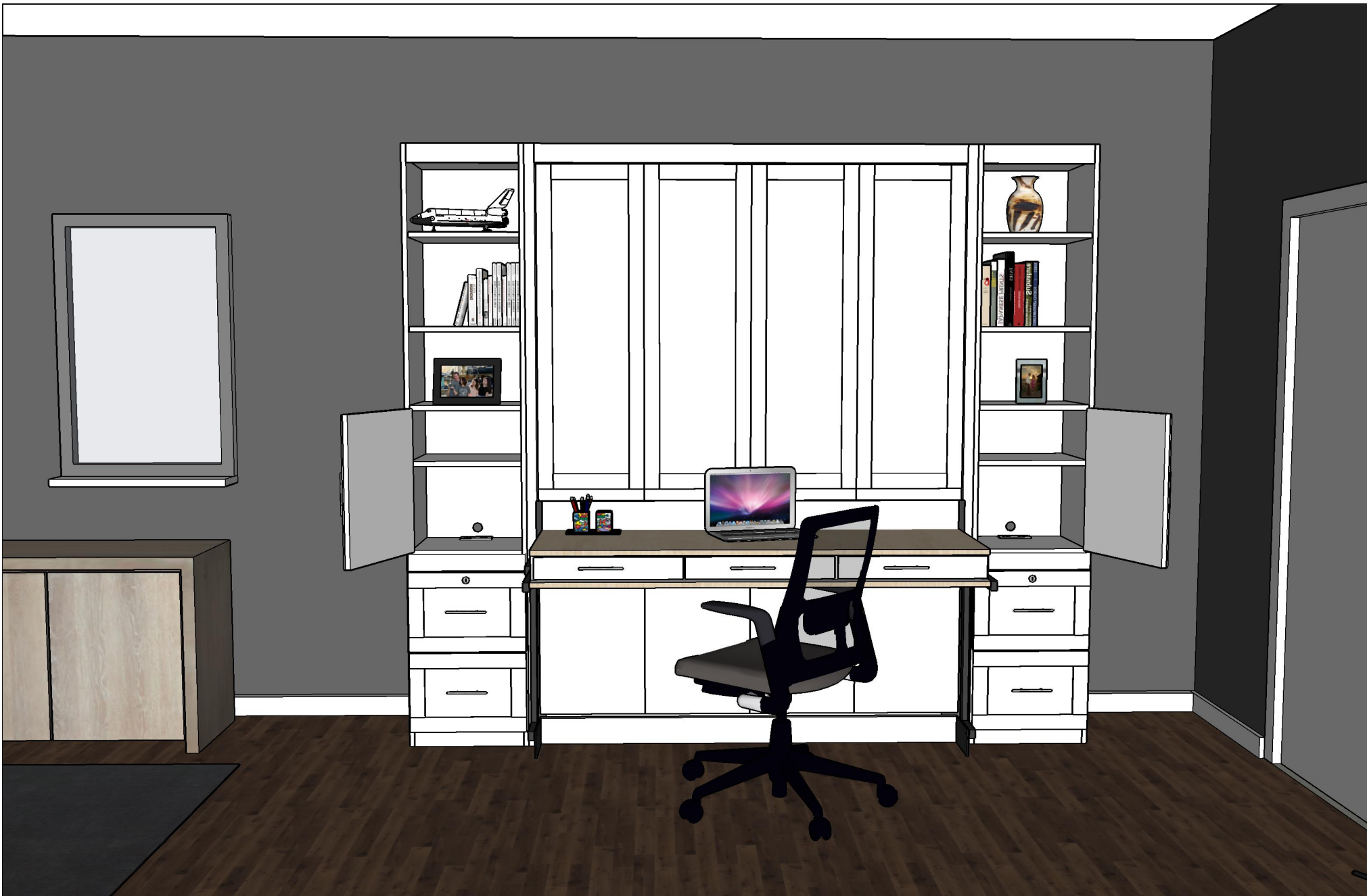


It's like having your own shop!

123-0524
Work Order 1275

REVISIONS

	MM/DD/YY	REMARKS
1	4/25/24	Add outlets in desk and both bookcases.
2		Update the color to white except for parts of desk
3		Add locks to top two drawers.
4		Add 3 drawers to desk.
5	--/--/--	...



Bookcase Open



It's like having your own shop!

123-0524
Work Order 1275

REVISIONS

	MM/DD/YY	REMARKS
1	4/25/24	Add outlets in desk and both bookcases.
2		Update the color to white except for parts of desk
3		Add locks to top two drawers.
4		Add 3 drawers to desk.
5	--/--/--	...



Bookcase Charging Stations



It's like having your own shop!

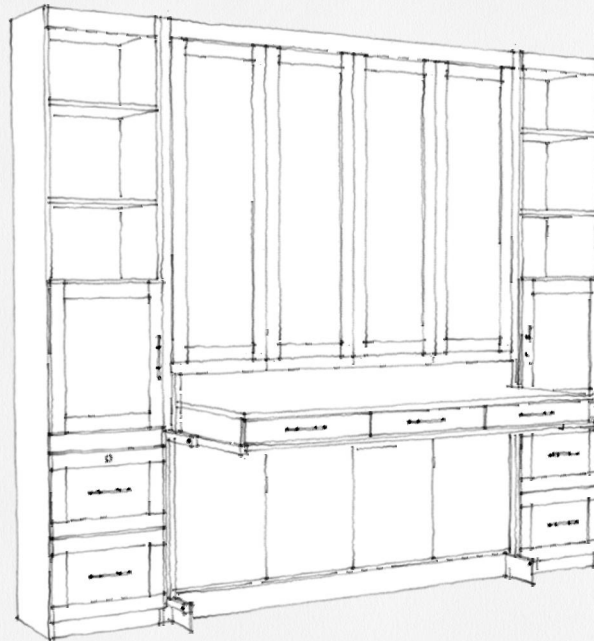
123-0524
Work Order 1275

REVISIONS

	MM/DD/YY	REMARKS
1	4/25/24	Add outlets in desk and both bookcases.
2		Update the color to white except for parts of desk
3		Add locks to top two drawers.
4		Add 3 drawers to desk.
5	--/--/--	...

More Extras

More extras can be added to your murphy bed design. Examples of those can be found at www.wwbeds.com/murphy-bed-extras



More Extras



It's like having your own shop!

123-0524
Work Order 1275

REVISIONS

	MM/DD/YY	REMARKS
1	4/25/24	Add outlets in desk and both bookcases.
2		Update the color to white except for parts of desk
3		Add locks to top two drawers.
4		Add 3 drawers to desk.
5	--/--/--	...