



Style 1109-0526  
Work Order 1611



It's like having your own shop!

Drawn By: Chris Davis

Last Modified: May 22, 2026

Style 1109-0526

Work Order 1611

**Wood:** Painted Maple

**Color:** Black Lacquer

**Size:** Twin

**Hardware:** 16" Oil Rubbed Bronze Bar Pull



16" Bar Pulls  
Oil Rubbed Bronze

Info Page



It's like having your own shop!

Style 1109-0526

Work Order 1611

REVISIONS

	MM/DD/YY	REMARKS
1	--/--/--	...
2	--/--/--	...
3	--/--/--	...
4	--/--/--	...
5	--/--/--	...

A 02

A

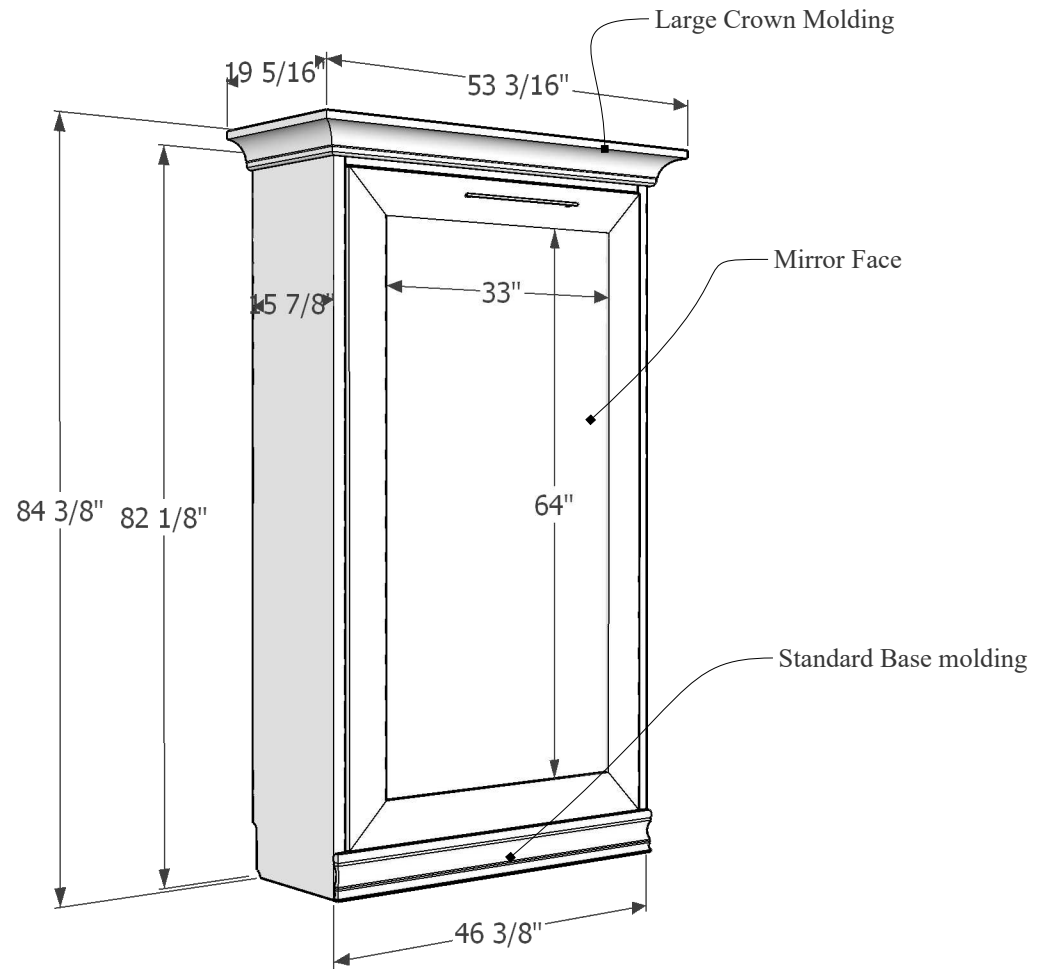
**Style 1109-0526**  
**Work Order 1611**

**Size:** Twin

**Wood:** Painted Maple

**Color:** Black Lacquer

**Hardware:** 16" Oil Rubbed Bronze Bar Pull



Main Drawing with Measurements



It's like having your own shop!

Style 1109-0526  
 Work Order 1611

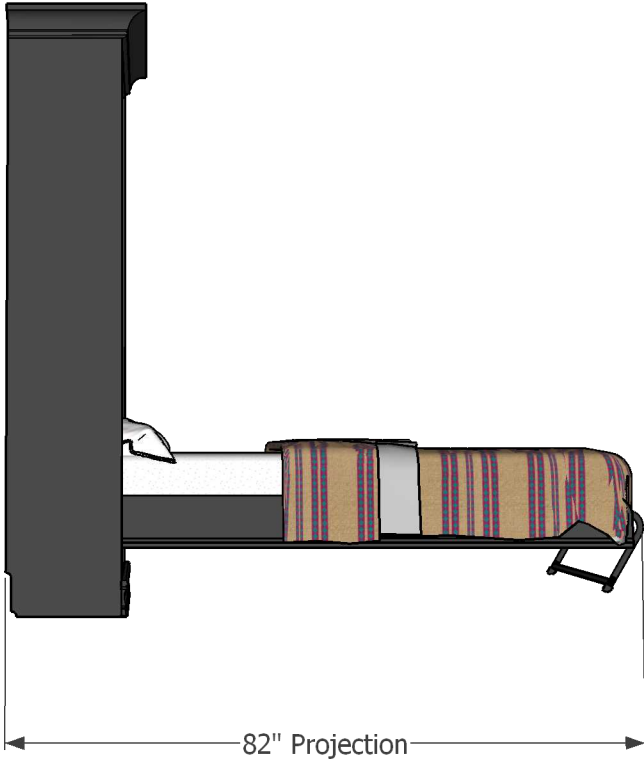
REVISIONS

	MM/DD/YY	REMARKS
1	--/--/--	...
2	--/--/--	...
3	--/--/--	...
4	--/--/--	...
5	--/--/--	...

A 03

A

**Style 1109-0526**  
**Work Order 1611**  
 Twin  
 Black Lacquer



Drawing Projection



It's like having your own shop!

Style 1109-0526  
 Work Order 1611

REVISIONS		
	MM/DD/YY	REMARKS
1	--/--/--	...
2	--/--/--	...
3	--/--/--	...
4	--/--/--	...
5	--/--/--	...

**A 04**  
**A**



Face Closed



It's like having your own shop!

Style 1109-0526

Work Order 1611

REVISIONS

	MM/DD/YY	REMARKS
1	--/--/-- ...	
2	--/--/-- ...	
3	--/--/-- ...	
4	--/--/-- ...	
5	--/--/-- ...	

A 05

A



Face Open



It's like having your own shop!

Style 1109-0526

Work Order 1611

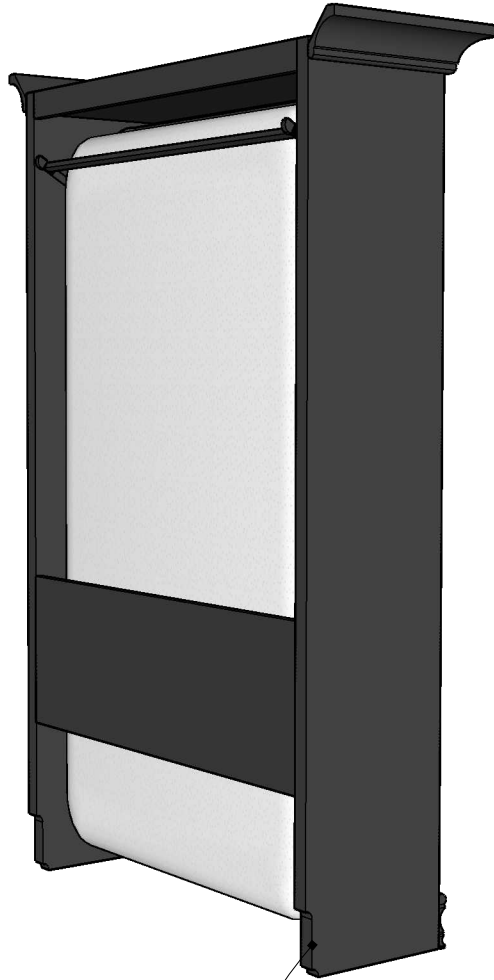
REVISIONS

	MM/DD/YY	REMARKS
1	--/--/--	...
2	--/--/--	...
3	--/--/--	...
4	--/--/--	...
5	--/--/--	...

06

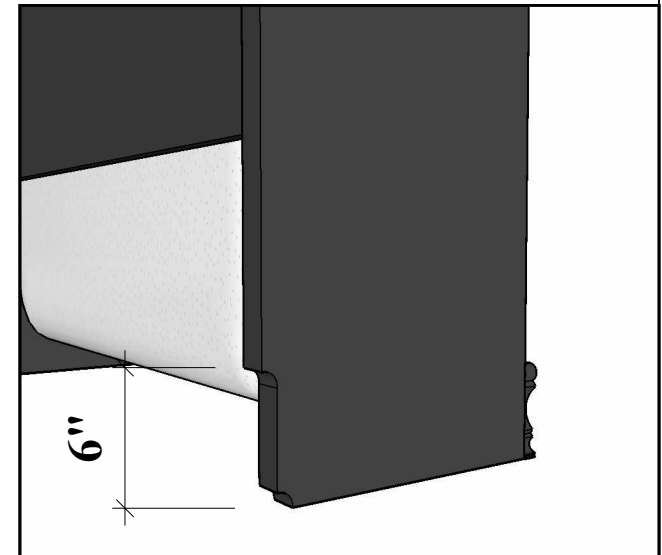
A

# Base Molding Cutout



6" high cutout for room's base molding

### Base cutout



Base Molding Cutout



It's like having your own shop!

Style 1109-0526

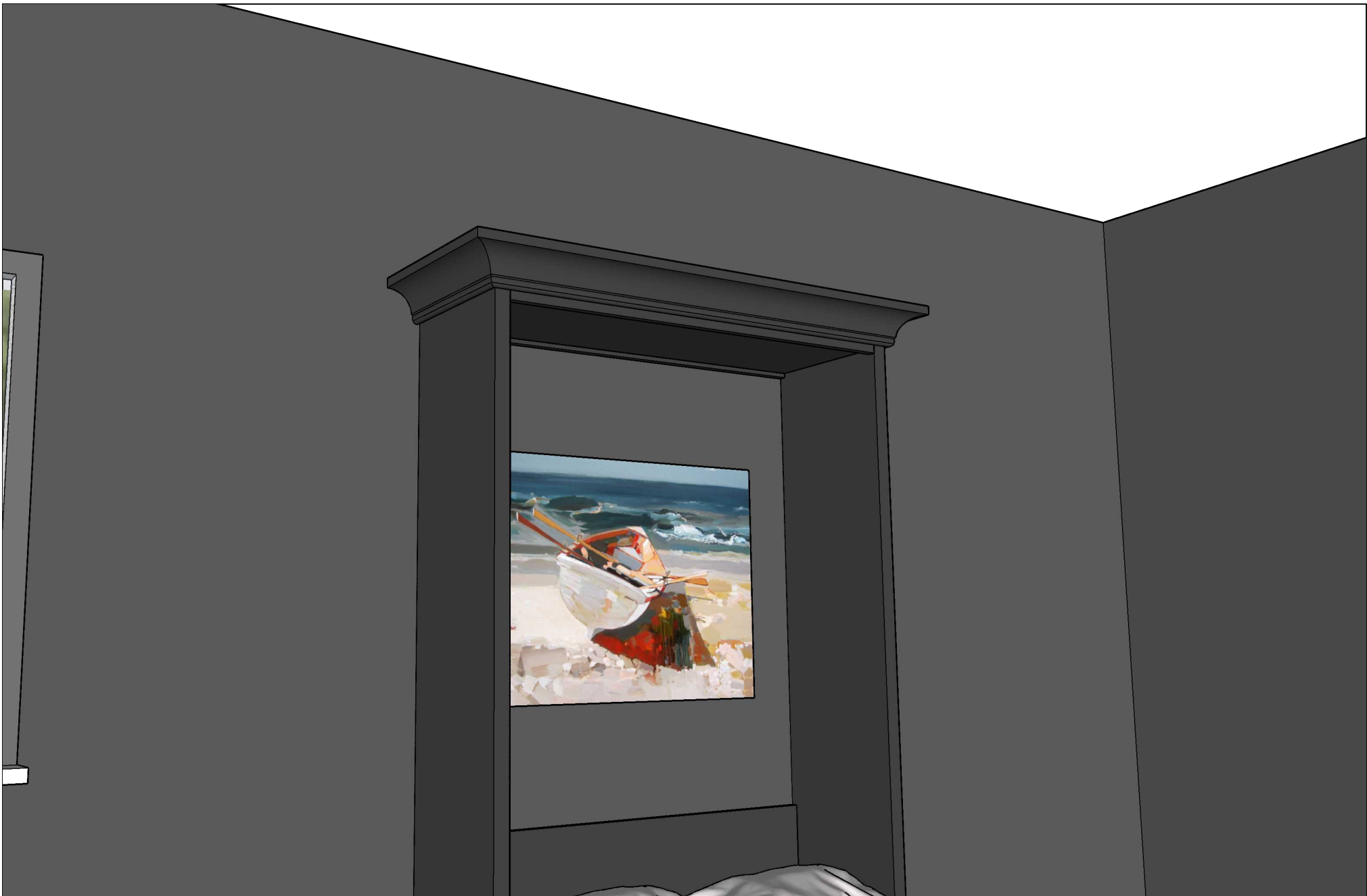
Work Order 1611

#### REVISIONS

	MM/DD/YY	REMARKS
1	--/--/--	...
2	--/--/--	...
3	--/--/--	...
4	--/--/--	...
5	--/--/--	...

07

A



Top



It's like having your own shop!

Style 1109-0526

Work Order 1611

REVISIONS

	MM/DD/YY	REMARKS
1	--/--/-- ...	
2	--/--/-- ...	
3	--/--/-- ...	
4	--/--/-- ...	
5	--/--/-- ...	

08

A



Headboard



It's like having your own shop!

Style 1109-0526

Work Order 1611

REVISIONS

	MM/DD/YY	REMARKS
1	--/--/-- ...	
2	--/--/-- ...	
3	--/--/-- ...	
4	--/--/-- ...	
5	--/--/-- ...	

09

A

# Extras: Murphy Bed Lights

## Inset Lights

Not on the Work Order, but we can add lights. The Inset lights are LED and are controlled by a touch plate on the headboard. I also add a tilt swith to kill the power when the bed is closed. Cost \$225

More on the lights: [www.wwbeds.com/murphylights](http://www.wwbeds.com/murphylights)



Extras: Murphy Bed Lights



It's like having your own shop!

Style 1109-0526  
Work Order 1611

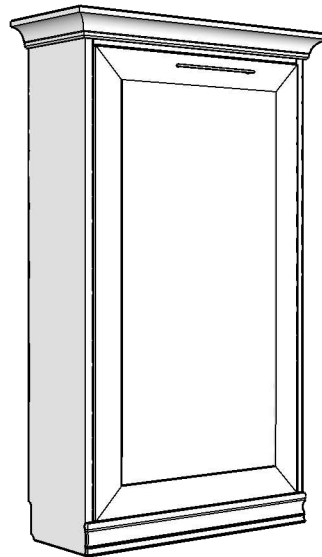
### REVISIONS

	MM/DD/YY	REMARKS
1	--/--/--	...
2	--/--/--	...
3	--/--/--	...
4	--/--/--	...
5	--/--/--	...

# More Extras

More extras can be added to your murphy bed design. Examples of those can be found at:

[www.wwbeds.com/murphy-bed-extras](http://www.wwbeds.com/murphy-bed-extras)



More Extras



It's like having your own shop!

Style 1109-0526

Work Order 1611

### REVISIONS

	MM/DD/YY	REMARKS
1	--/--/--	...
2	--/--/--	...
3	--/--/--	...
4	--/--/--	...
5	--/--/--	...