

Style 123-0226c



It's like having your own shop!

Drawn By: Chris Davis

Last Modified: February 19, 2026

Style 123-0226c

**Wood:** Maple

**Color:** Cherry Stain

**Size:** Queen

**Hardware:** 16" Oil Rubbed Bronze Bar Pulls for the face

6" Oil Rubbed Bronze Bar Pulls everywhere else

Oil Rubbed Bronze Knob on tray



16" Bar Pulls  
Oil Rubbed Bronze



6" Bar Pulls  
Oil Rubbed Bronze

Info Page



It's like having your own shop!

Style 123-0226c

REVISIONS

	MM/DD/YY	REMARKS
1	1/13/26	Added Templeton Face, added knob to tray
2	--/--/--	...
3	--/--/--	...
4	--/--/--	...
5	--/--/--	...

A 02

A

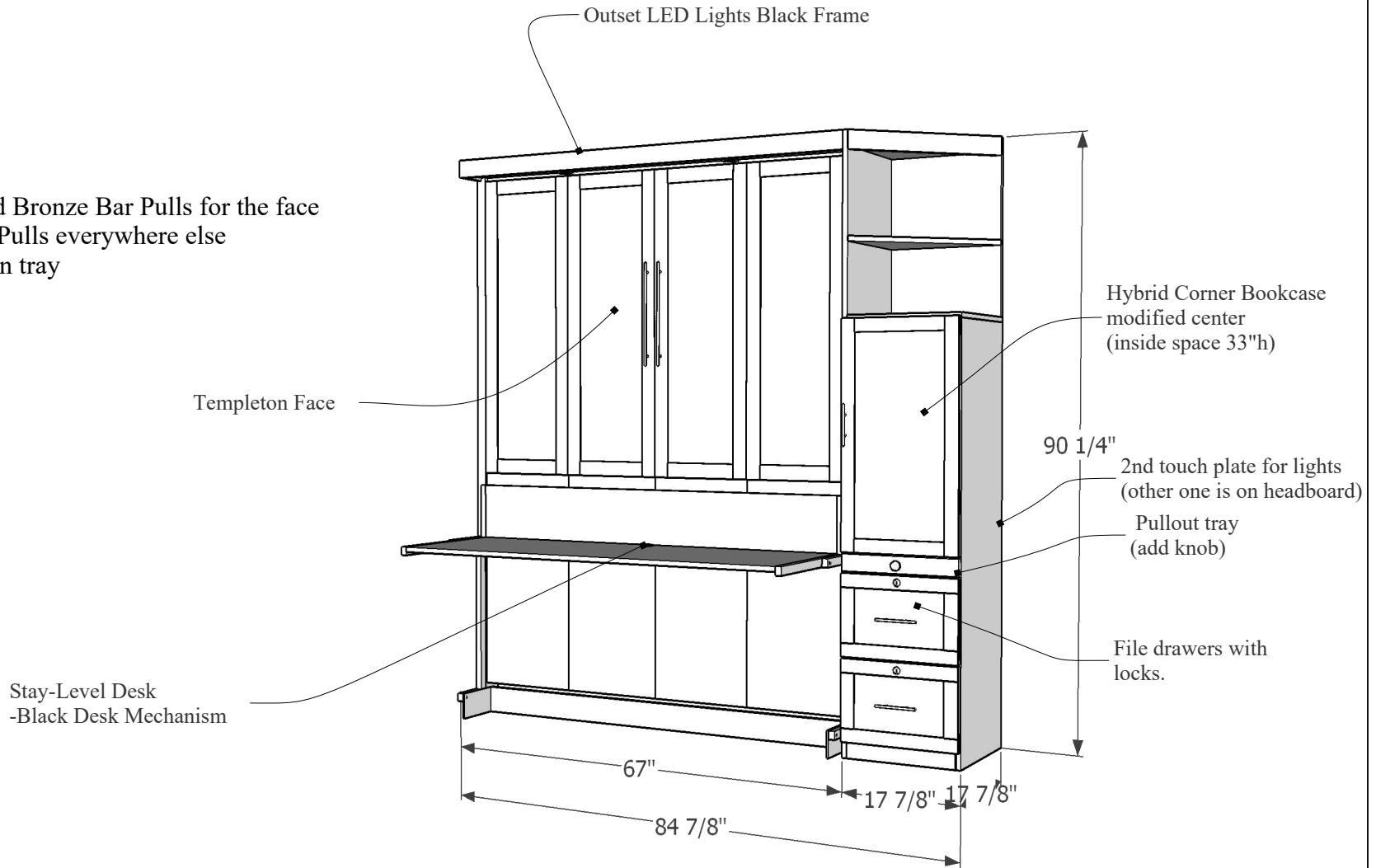
**Style 123-0226c**

**Size:** Queen

**Wood:** Maple

**Color:** Cherry Stain

**Hardware:** 16" Oil Rubbed Bronze Bar Pulls for the face  
 6" Oil Rubbed Bronze Bar Pulls everywhere else  
 Oil Rubbed Bronze Knob on tray



Customer needs this to arrive the first week of March.

Main Drawing with Measurements



It's like having your own shop!

Style 123-0226c

REVISIONS

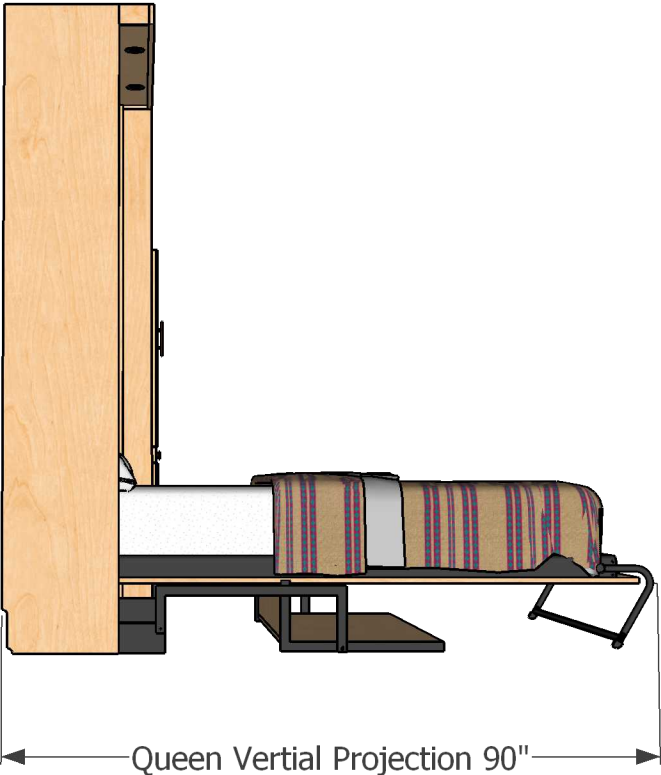
	MM/DD/YY	REMARKS
1	1/13/26	Added Templeton Face, added knob to tray
2	--/--/--	...
3	--/--/--	...
4	--/--/--	...
5	--/--/--	...

03

A

Style 123-0226c

Queen  
Cherry Stain



Drawing Projection



It's like having your own shop!  
Style 123-0226c

REVISIONS		
	MM/DD/YY	REMARKS
1	1/13/26	Added Templeton Face, added knob to tray
2	--/--/--	...
3	--/--/--	...
4	--/--/--	...
5	--/--/--	...

A 04



Face Closed



It's like having your own shop!

Style 123-0226c

REVISIONS

	MM/DD/YY	REMARKS
1	1/13/26	Added Templeton Face, added knob to tray
2	--/--/--	...
3	--/--/--	...
4	--/--/--	...
5	--/--/--	...

A 05

A



Face Open



It's like having your own shop!

Style 123-0226c

REVISIONS

	MM/DD/YY	REMARKS
1	1/13/26	Added Templeton Face, added knob to tray
2	--/--/--	...
3	--/--/--	...
4	--/--/--	...
5	--/--/--	...

06

A



Desk



It's like having your own shop!

Style 123-0226c

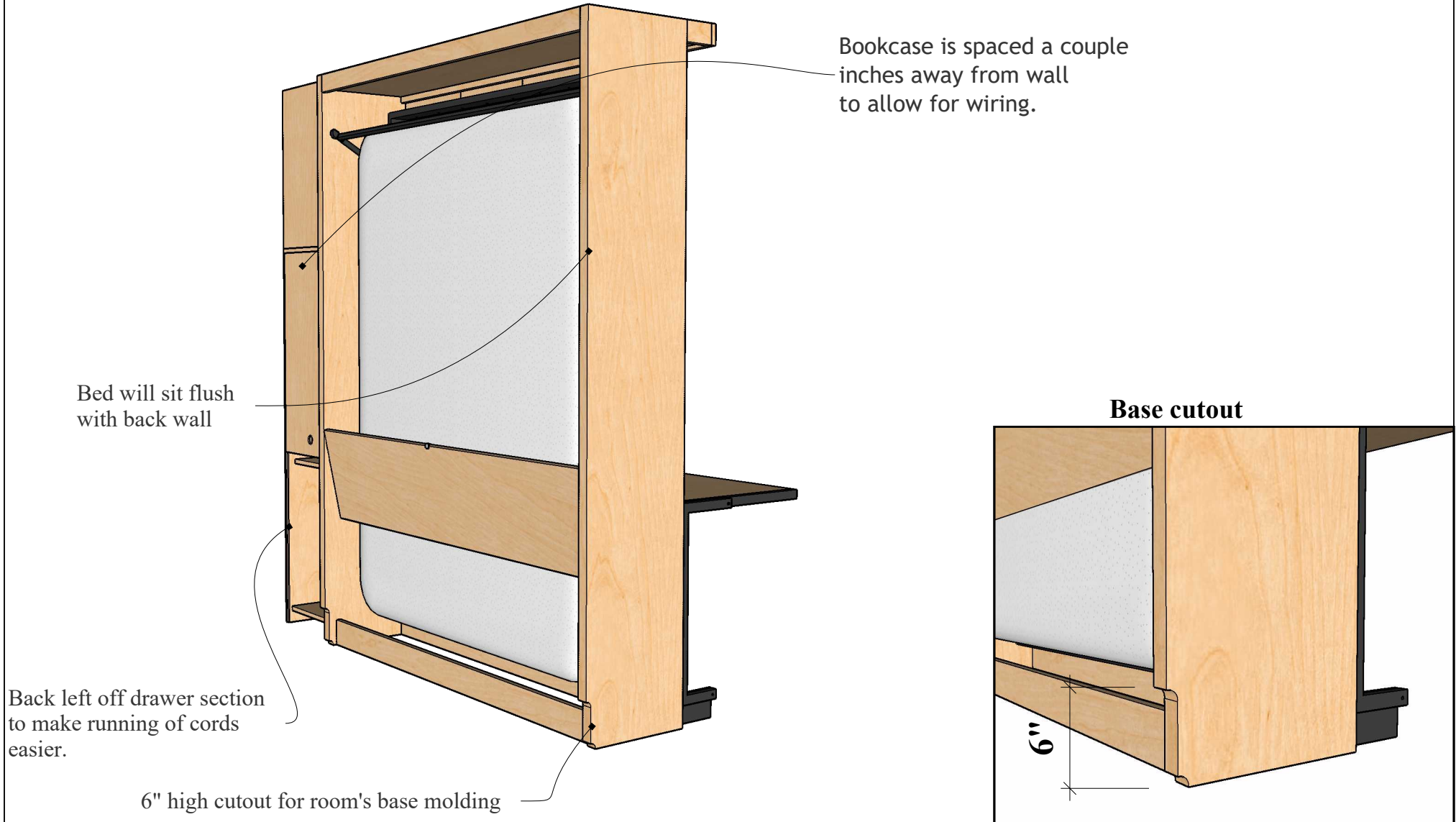
REVISIONS

	MM/DD/YY	REMARKS
1	1/13/26	Added Templeton Face, added knob to tray
2	--/--/--	...
3	--/--/--	...
4	--/--/--	...
5	--/--/--	...

07

A

# Base Molding Cutout



Base Molding Cutout



It's like having your own shop!

Style 123-0226c

## REVISIONS

	MM/DD/YY	REMARKS
1	1/13/26	Added Templeton Face, added knob to tray
2	--/--/--	...
3	--/--/--	...
4	--/--/--	...
5	--/--/--	...

08

A



Drink Trays



It's like having your own shop!

Style 123-0226c

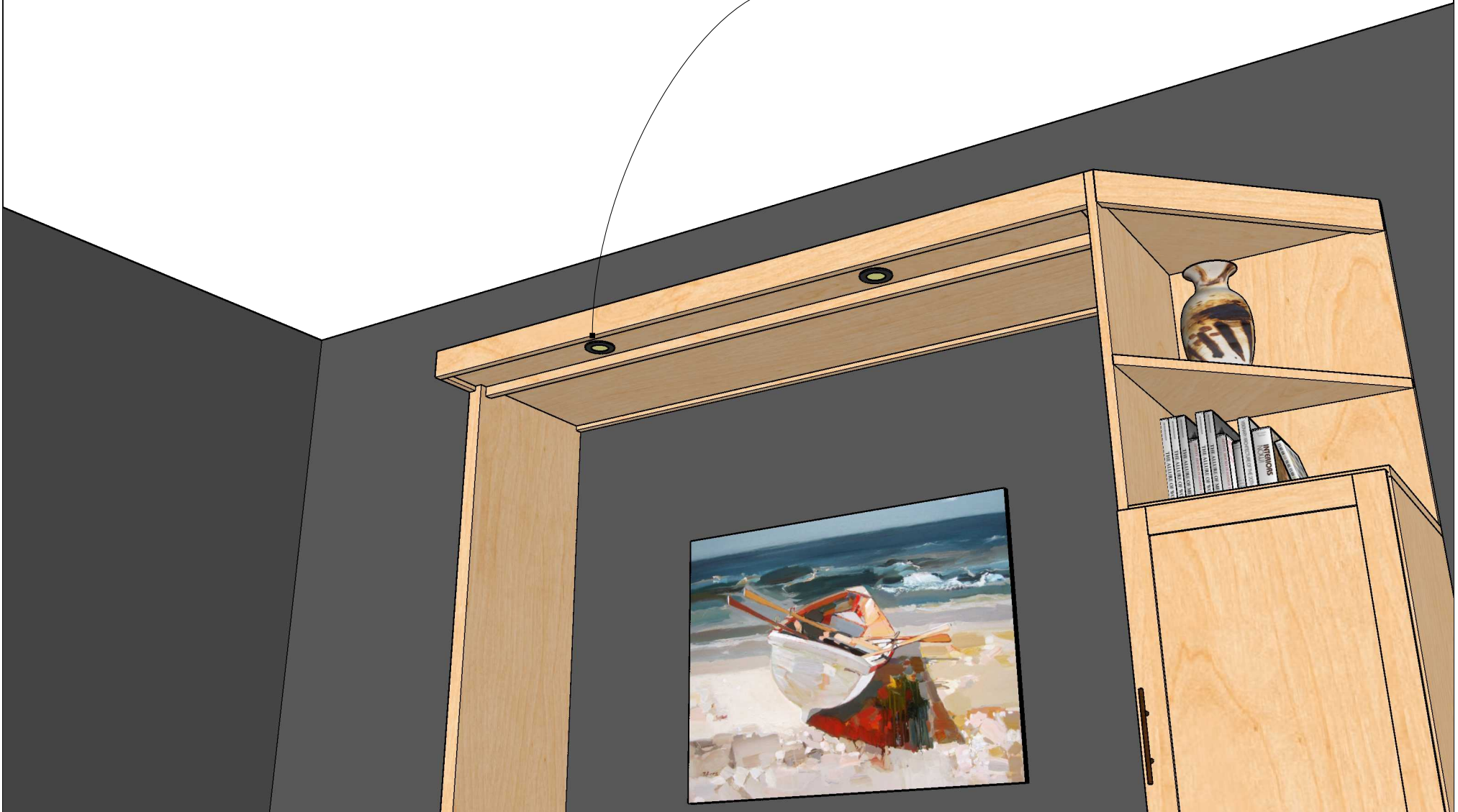
REVISIONS

	MM/DD/YY	REMARKS
1	1/13/26	Added Templeton Face, added knob to tray
2	--/--/--	...
3	--/--/--	...
4	--/--/--	...
5	--/--/--	...

09

A

Outset LED Lights Black Frame



Lights



It's like having your own shop!

Style 123-0226c

REVISIONS

	MM/DD/YY	REMARKS
1	1/13/26	Added Templeton Face, added knob to tray
2	--/--/--	...
3	--/--/--	...
4	--/--/--	...
5	--/--/--	...

10

A



Bookcase Open



It's like having your own shop!  
Style 123-0226c

REVISIONS		
	MM/DD/YY	REMARKS
1	1/13/26	Added Templeton Face, added knob to tray
2	--/--/--	...
3	--/--/--	...
4	--/--/--	...
5	--/--/--	...



Light touch plate

Headboard



It's like having your own shop!

Style 123-0226c

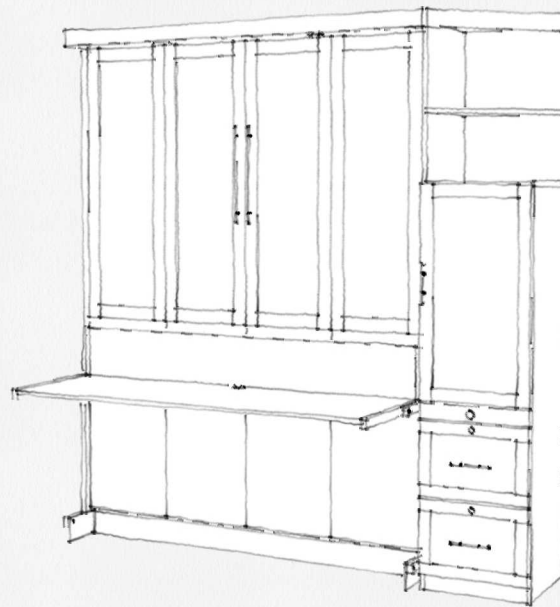
REVISIONS

	MM/DD/YY	REMARKS
1	1/13/26	Added Templeton Face, added knob to tray
2	--/--/--	...
3	--/--/--	...
4	--/--/--	...
5	--/--/--	...

# More Extras

More extras can be added to your murphy bed design. Examples of those can be found at:

[www.wwbeds.com/murphy-bed-extras](http://www.wwbeds.com/murphy-bed-extras)



More Extras



It's like having your own shop!

Style 123-0226c

### REVISIONS

	MM/DD/YY	REMARKS
1	1/13/26	Added Templeton Face, added knob to tray
2	--/--/--	...
3	--/--/--	...
4	--/--/--	...
5	--/--/--	...