

Style 1418-0126
Work Order 1529



It's like having your own shop!

Drawn By: Chris Davis

Last Modified: January 6, 2026

Style 1418-0126

Work Order 1529

Wood: Painted Maple

Color: White lacquer

Size: Queen Horizontal

Hardware: 16" Nickel Bar Pulls for the face

6" Nickel Bar Pulls everywhere else



16" Bar Pulls
Nickel



6" Bar Pulls
Nickel

Additional Revisions:

<u>Date</u>	<u>Revision</u>
11/11/25	-Cut out top to clear lights -Corrected size of block wall to left wall 122 3/4" -Lowered window 1/8" and thus lowering that mid/lower cabinet height
11/20/25	-Added scribe to 3 places on the right

Info Page



It's like having your own shop!

Style 1418-0126
Work Order 1529

REVISIONS

	MM/DD/YY	REMARKS
1	10/15/25 (R1)	Added back and ledge for back on side BC,
2		added, backs to all upper bookcases
3	10/15/25 (R2)	Corrected some door alignments
4	10/17/25 (R3)	Made left BC base 1 1/2"
5		See page 2 for additional revisions

A 02

A

Style 1418-0126
Work Order 1529

Size: Queen Horizontal

Wood: Painted Maple

Color: White lacquer

Hardware: 16" Nickel Bar Pulls for the face
 6" Nickel Bar Pulls everywhere else

These mid-section will have 1 adj. shelf each.

All upper cabinets and side bookcase will have backs. Side bookcase will have a ledge for the block wall cutout. (see page 10)

Opening based on 2 5/8" gap on the sides and 1" gap on the top and bottom. (see page 12)

Scribe molding on the two upper cabinets.

Scribe on the bed will be attached with a 3/4" x 3/4" cleat during installation.

Inside 5" headboard
 No outlet

81 3/4"

Side figured 13/8" away from lower blocked wall (see page 4)

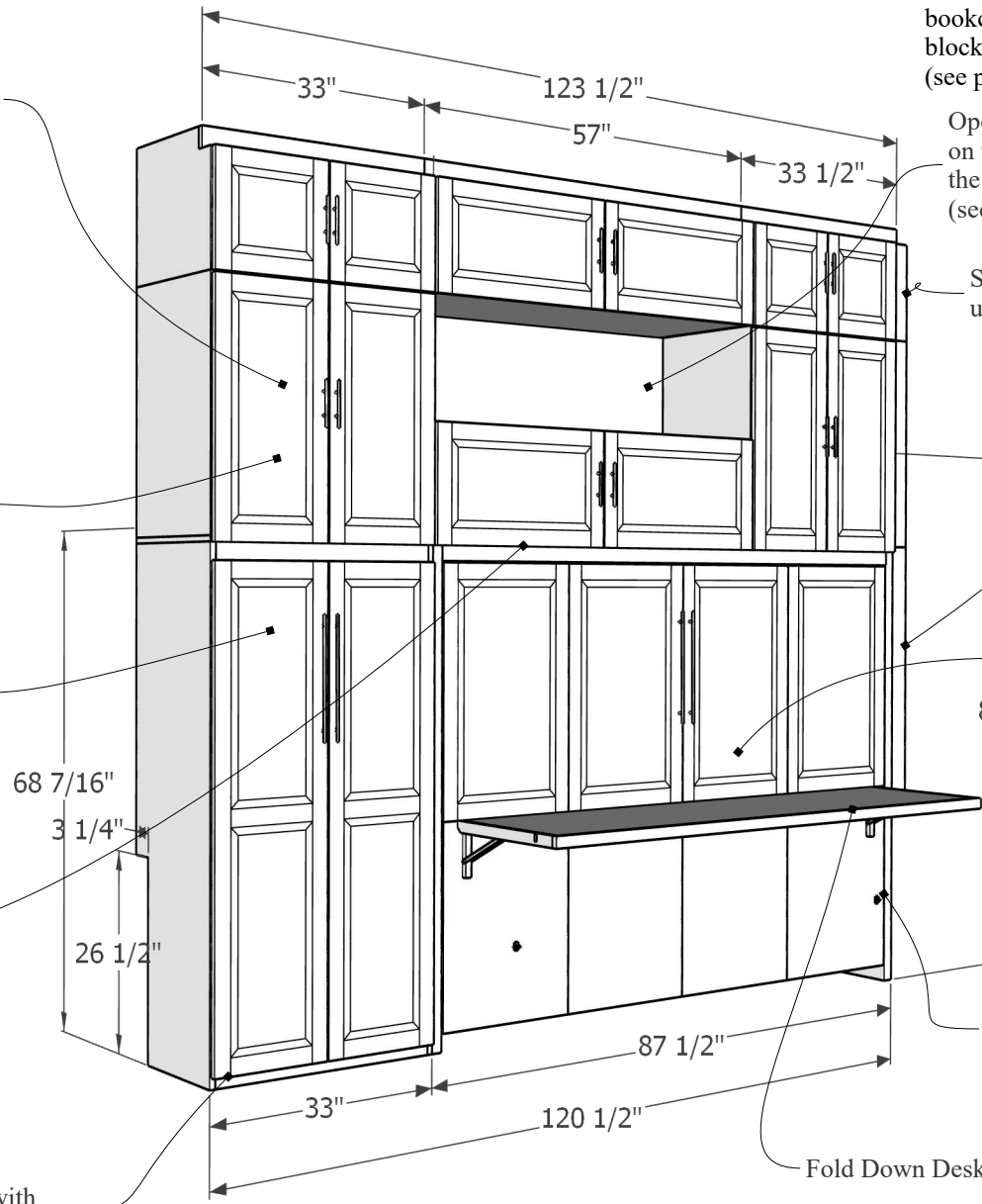
Fold Down Desk (White Desk Mechanism)

All doors are Bullock style Square raised panels

Fixed shelf at top with hanging rod (see page 11)

BUILDERS NOTE
 NO BACK RAIL ON
 HEADER AND MAKE
 15 7/8" DEEP TOP PANEL

BUILDERS NOTE: Base is 1 1/2"h with doors coming about 1 1/4" off the floor.



Main Drawing with Measurements



It's like having your own shop!

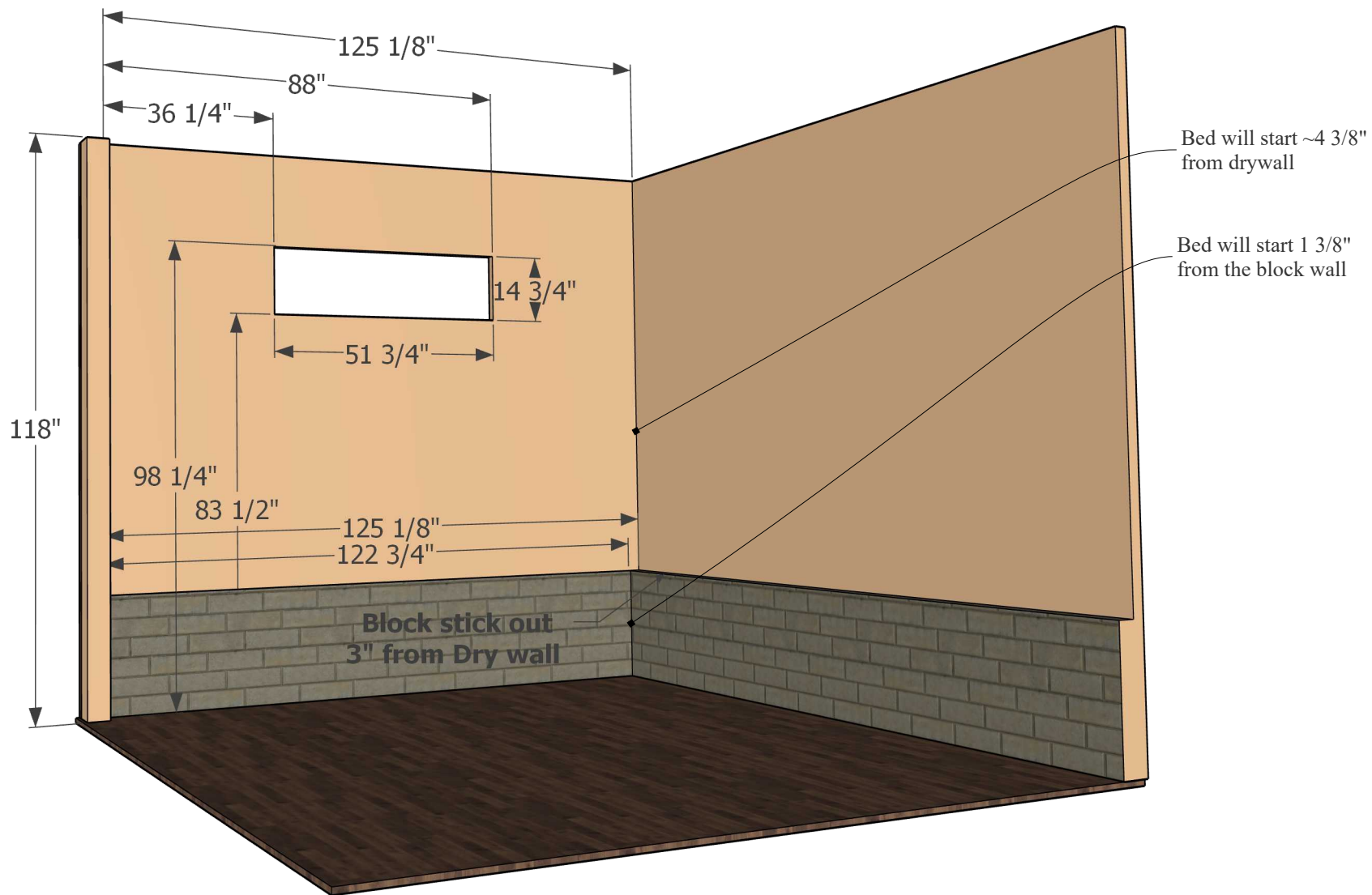
Style 1418-0126
 Work Order 1529

REVISIONS

	MM/DD/YY	REMARKS
1	10/15/25 (R1)	Added back and ledge for back on side BC.
2		added, backs to all upper bookcases
3	10/15/25 (R2)	Corrected some door alignments
4	10/17/25 (R3)	Made left BC base 1 1/2"
5		See page 2 for additional revisions

03

A



Wall Scene



It's like having your own shop!

Style 1418-0126
Work Order 1529

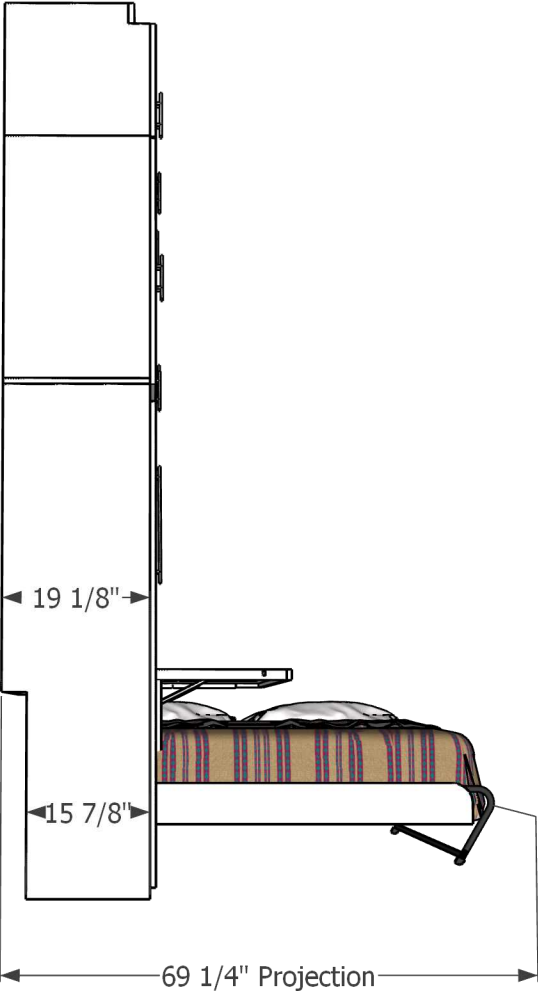
REVISIONS

	MM/DD/YY	REMARKS
1	10/15/25 (R1)	Added back and ledge for back on side BC,
2		added, backs to all upper bookcases
3	10/15/25 (R2)	Corrected some door alignments
4	10/17/25 (R3)	Made left BC base 1 1/2"
5		See page 2 for additional revisions

A 04

A

Style 1418-0126
 Work Order 1529
 Queen Horizontal
 White lacquer



Drawing Projection



It's like having your own shop!

Style 1418-0126
 Work Order 1529

REVISIONS

	MM/DD/YY	REMARKS
1	10/15/25 (R1)	Added back and ledge for back on side BC,
2		added, backs to all upper bookcases
3	10/15/25 (R2)	Corrected some door alignments
4	10/17/25 (R3)	Made left BC base 1 1/2"
5		See page 2 for additional revisions

A 05



Face Closed



It's like having your own shop!

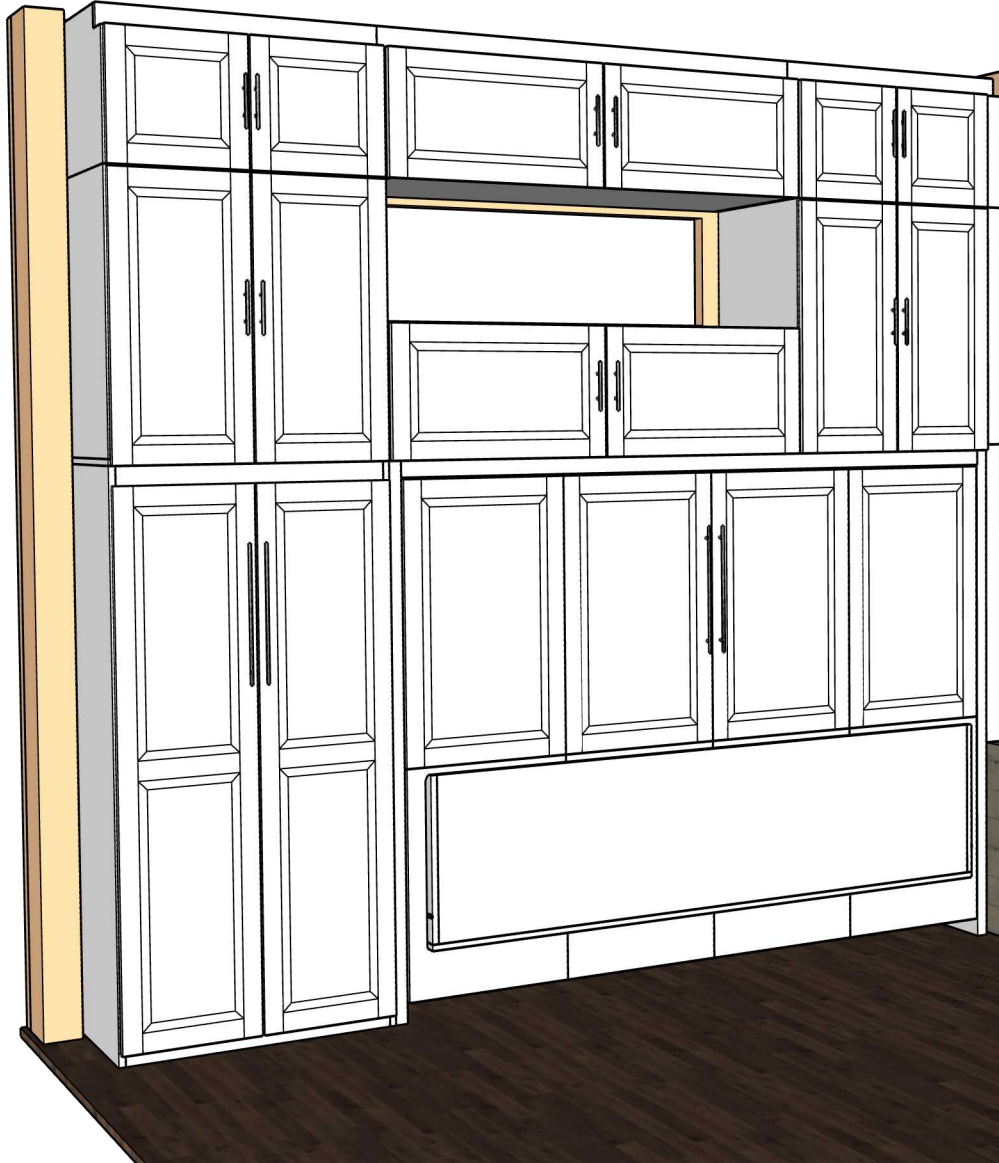
Style 1418-0126
Work Order 1529

REVISIONS

	MM/DD/YY	REMARKS
1	10/15/25 (R1)	Added back and ledge for back on side BC,
2		added, backs to all upper bookcases
3	10/15/25 (R2)	Corrected some door alignments
4	10/17/25 (R3)	Made left BC base 1 1/2"
5		See page 2 for additional revisions

06

A



Desk Down



It's like having your own shop!

Style 1418-0126
Work Order 1529

REVISIONS

	MM/DD/YY	REMARKS
1	10/15/25 (R1)	Added back and ledge for back on side BC,
2		added, backs to all upper bookcases
3	10/15/25 (R2)	Corrected some door alignments
4	10/17/25 (R3)	Made left BC base 1 1/2"
5		See page 2 for additional revisions



Face Open



It's like having your own shop!

Style 1418-0126
Work Order 1529

REVISIONS

	MM/DD/YY	REMARKS
1	10/15/25 (R1)	Added back and ledge for back on side BC,
2		added, backs to all upper bookcases
3	10/15/25 (R2)	Corrected some door alignments
4	10/17/25 (R3)	Made left BC base 1 1/2"
5		See page 2 for additional revisions



Desk



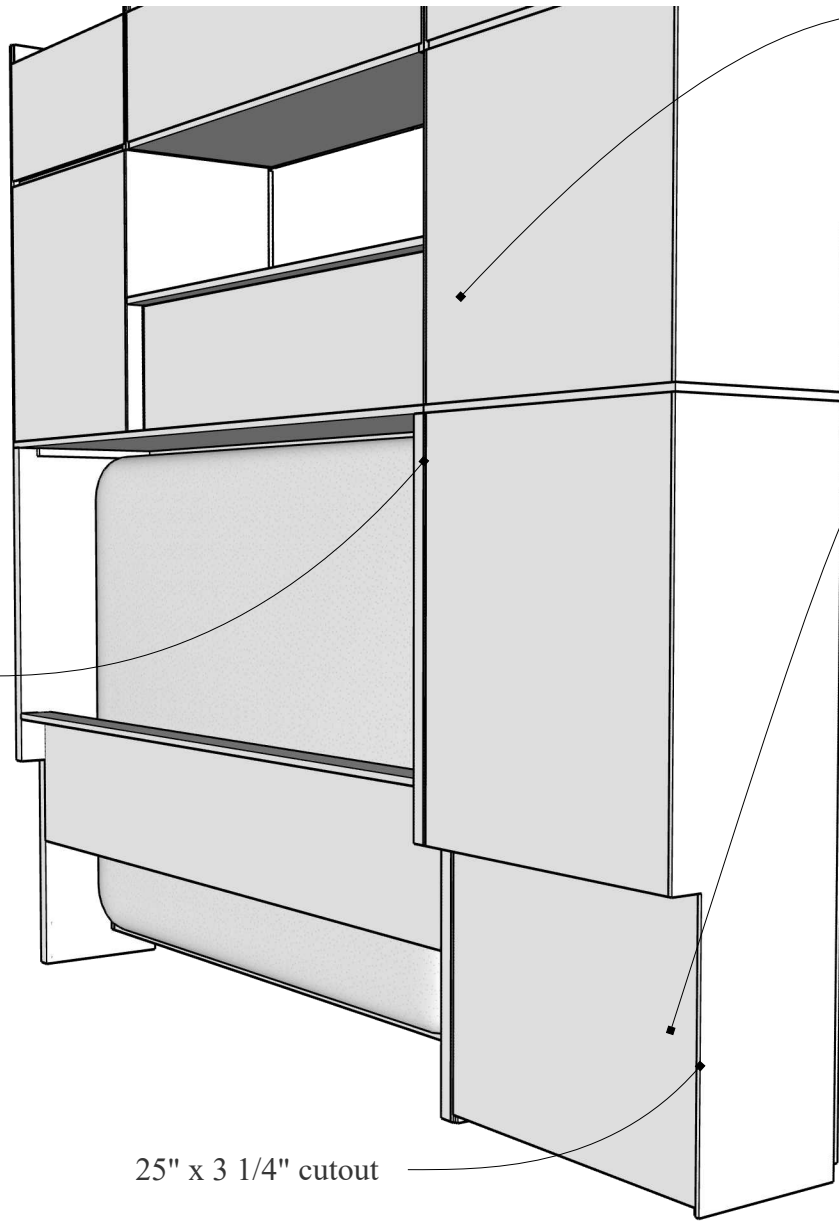
It's like having your own shop!

Style 1418-0126
Work Order 1529

REVISIONS

	MM/DD/YY	REMARKS
1	10/15/25 (R1)	Added back and ledge for back on side BC,
2		added, backs to all upper bookcases
3	10/15/25 (R2)	Corrected some door alignments
4	10/17/25 (R3)	Made left BC base 1 1/2"
5		See page 2 for additional revisions

Back View



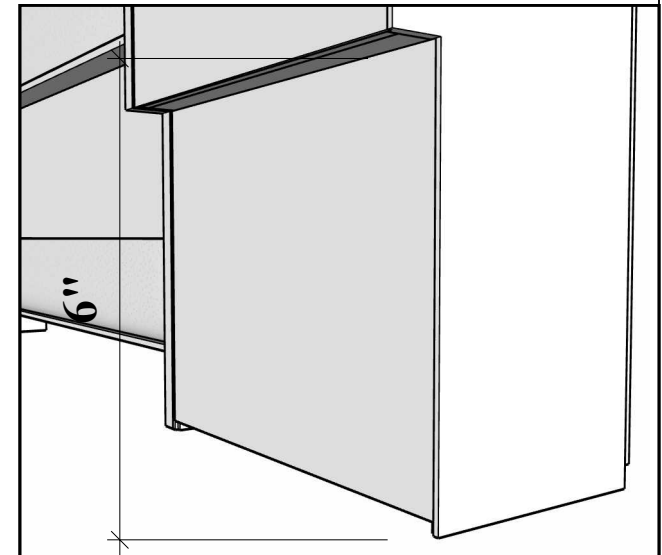
Bookcase sit flush with the wall with backs.

1/4" back on a lower section with a 3/4" shelf type ledge above it for the cutout.
 (Note with the back and the ledge above it, that will make it more difficult if a larger cutout is needed on site, during installation)

Bed will sit flush with back wall

25" x 3 1/4" cutout

Base cutout



Back View



It's like having your own shop!

Style 1418-0126
 Work Order 1529

REVISIONS

	MM/DD/YY	REMARKS
1	10/15/25 (R1)	Added back and ledge for back on side BC,
2		added, backs to all upper bookcases
3	10/15/25 (R2)	Corrected some door alignments
4	10/17/25 (R3)	Made left BC base 1 1/2"
5		See page 2 for additional revisions

10

A



Bookcase Open

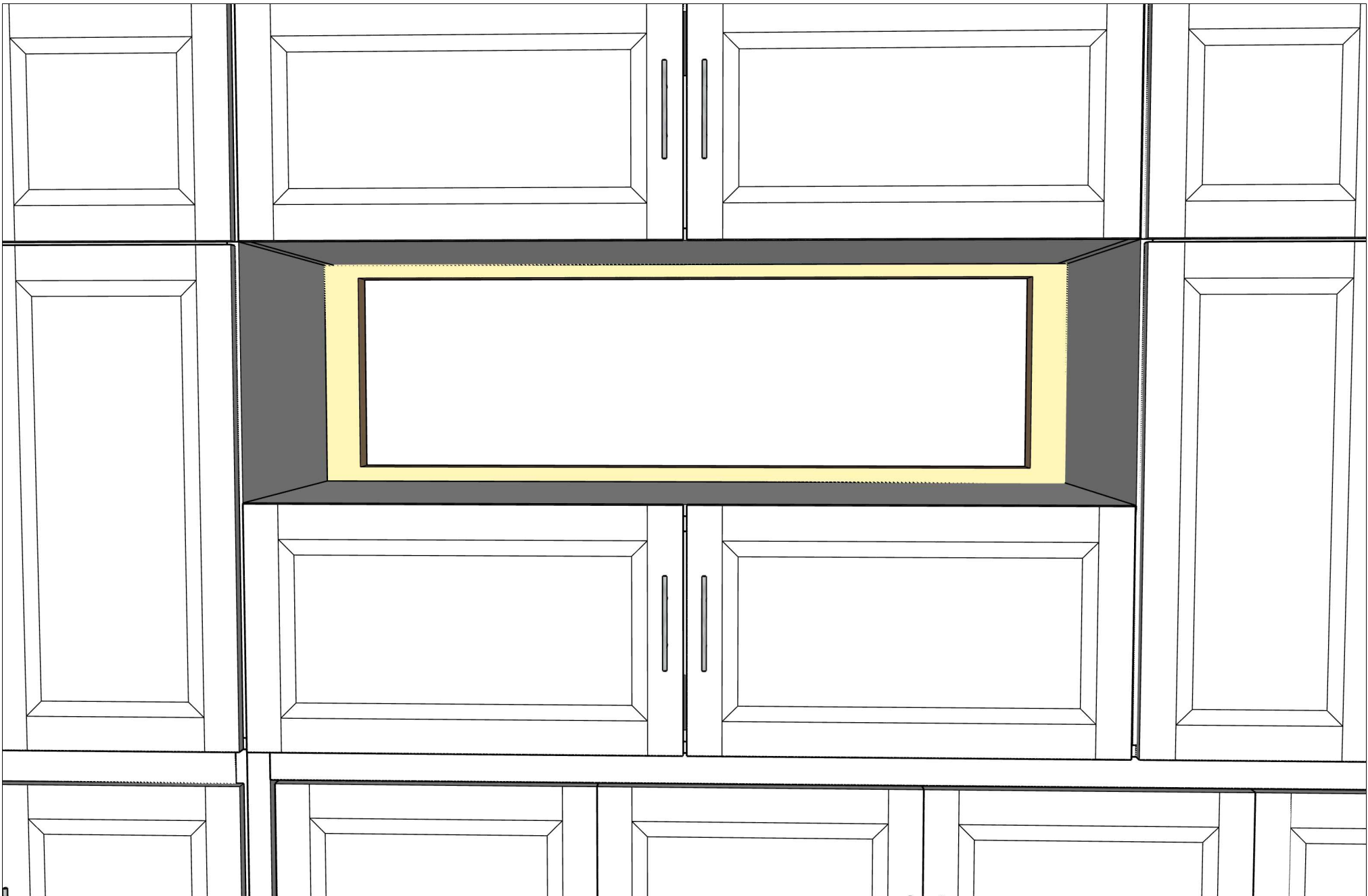


It's like having your own shop!

Style 1418-0126
Work Order 1529

REVISIONS

	MM/DD/YY	REMARKS
1	10/15/25 (R1)	Added back and ledge for back on side BC,
2		added, backs to all upper bookcases
3	10/15/25 (R2)	Corrected some door alignments
4	10/17/25 (R3)	Made left BC base 1 1/2"
5		See page 2 for additional revisions



Window



It's like having your own shop!

Style 1418-0126
Work Order 1529

REVISIONS

	MM/DD/YY	REMARKS
1	10/15/25 (R1)	Added back and ledge for back on side BC,
2		added, backs to all upper bookcases
3	10/15/25 (R2)	Corrected some door alignments
4	10/17/25 (R3)	Made left BC base 1 1/2"
5		See page 2 for additional revisions

12

A



Headboard



It's like having your own shop!

Style 1418-0126
Work Order 1529

REVISIONS

	MM/DD/YY	REMARKS
1	10/15/25 (R1)	Added back and ledge for back on side BC,
2		added, backs to all upper bookcases
3	10/15/25 (R2)	Corrected some door alignments
4	10/17/25 (R3)	Made left BC base 1 1/2"
5		See page 2 for additional revisions



NOTE the 3/4" difference
in the plane of the bookcase
doors vs. the murphy bed face.

View of face



It's like having your own shop!

Style 1418-0126
Work Order 1529

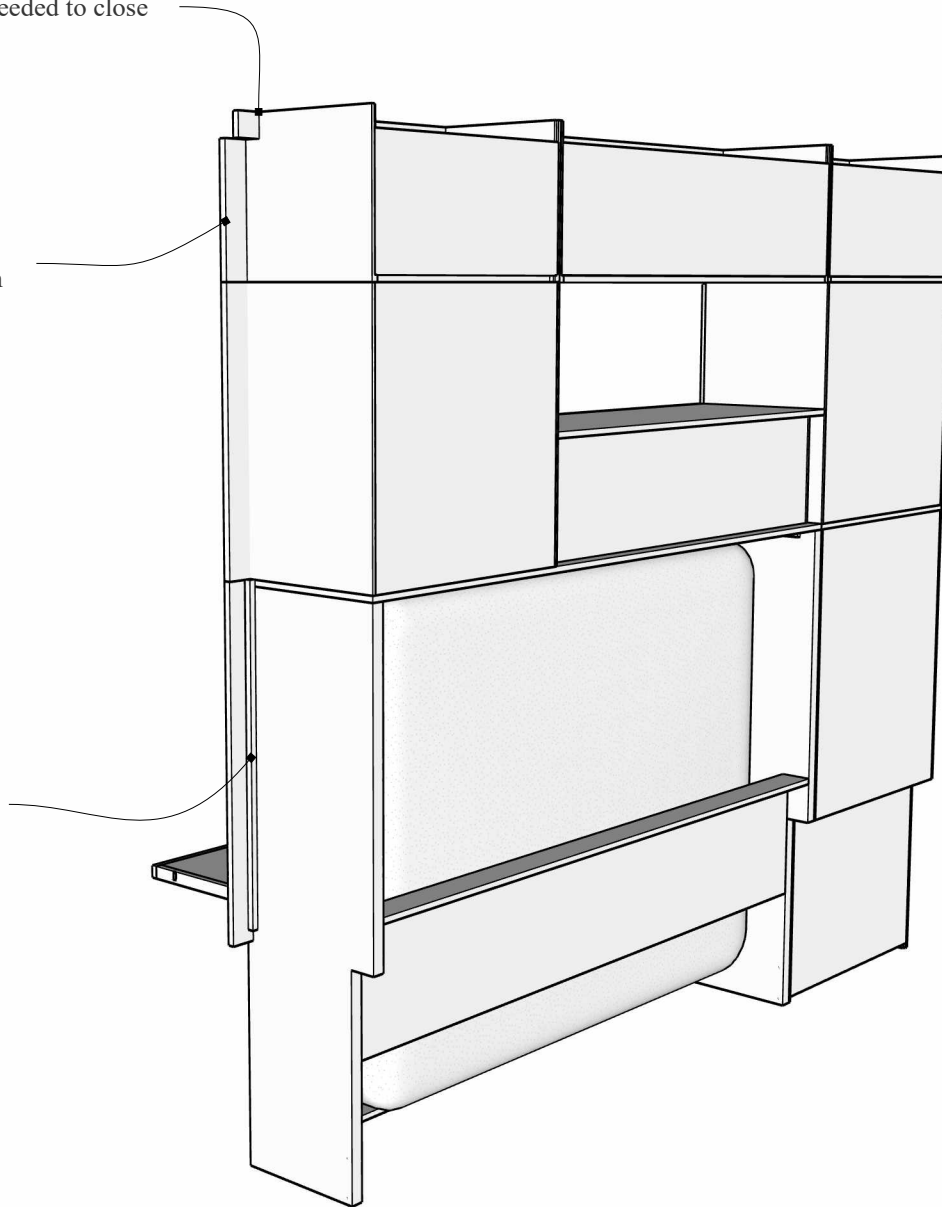
REVISIONS

	MM/DD/YY	REMARKS
1	10/15/25 (R1)	Added back and ledge for back on side BC,
2		added, backs to all upper bookcases
3	10/15/25 (R2)	Corrected some door alignments
4	10/17/25 (R3)	Made left BC base 1 1/2"
5		See page 2 for additional revisions

Top molding will be sent extra long and will fit tight with the side wall (no trim needed to close the gap)

Both upper bookcases on this side will have scribe molding attached. It will come 3" past the cabinet side. Customer will use their on trim to close the gap

This scribe will not be perminately attached, but will be attached during installation by a 3/4" x 3/4" cleat on the back. It will also be sent long and can fit tight with the tile on the bottom side



Scribe (back view)



It's like having your own shop!

Style 1418-0126
Work Order 1529

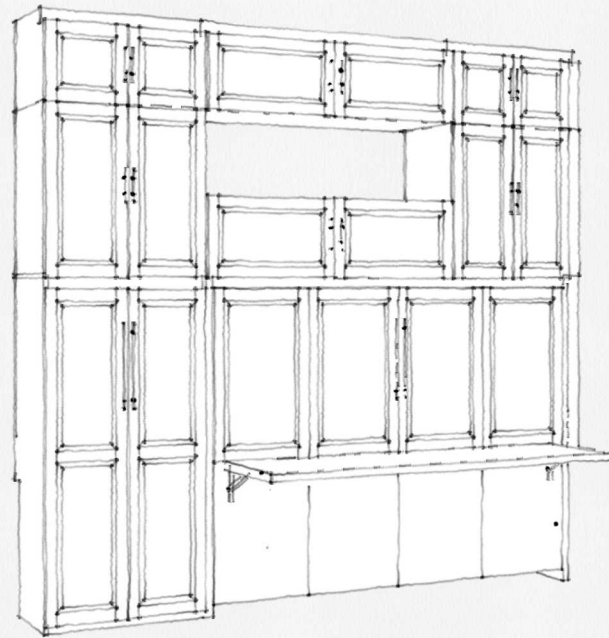
REVISIONS

	MM/DD/YY	REMARKS
1	10/15/25 (R1)	Added back and ledge for back on side BC,
2		added, backs to all upper bookcases
3	10/15/25 (R2)	Corrected some door alignments
4	10/17/25 (R3)	Made left BC base 1 1/2"
5		See page 2 for additional revisions

More Extras

More extras can be added to your murphy bed design. Examples of those can be found at:

www.wwbeds.com/murphy-bed-extras



More Extras



It's like having your own shop!

Style 1418-0126
Work Order 1529

REVISIONS

	MM/DD/YY	REMARKS
1	10/15/25 (R1)	Added back and ledge for back on side BC,
2		added, backs to all upper bookcases
3	10/15/25 (R2)	Corrected some door alignments
4	10/17/25 (R3)	Made left BC base 1 1/2"
5		See page 2 for additional revisions