

Style 143-1225
Work Order 1547



It's like having your own shop!

Drawn By: Chris Davis

Last Modified: December 18, 2025

Style 143-1225
Work Order 1547
Wood: Maple
Color: Dark Walnut
Size: Queen
Hardware: 6" Nickel Bar Pulls



6" Bar Pulls
Nickel

Info Page



It's like having your own shop!

Style 143-1225
 Work Order 1547

REVISIONS

	MM/DD/YY	REMARKS
1	11/19/25	Basic overhang top mld removed
2	11/21/25	Made 1/2" shorter
3	11/21/25	Making holes in bookcase 2".
4	--/--/--	...
5	--/--/--	...

A 02

A

Style 143-1225
Work Order 1547

Size: Queen

Wood: Maple

Color: Dark Walnut

Hardware: 6" Nickel Bar Pulls

Upper door section with adjustable shelves
 (soft close doors)
 both sides

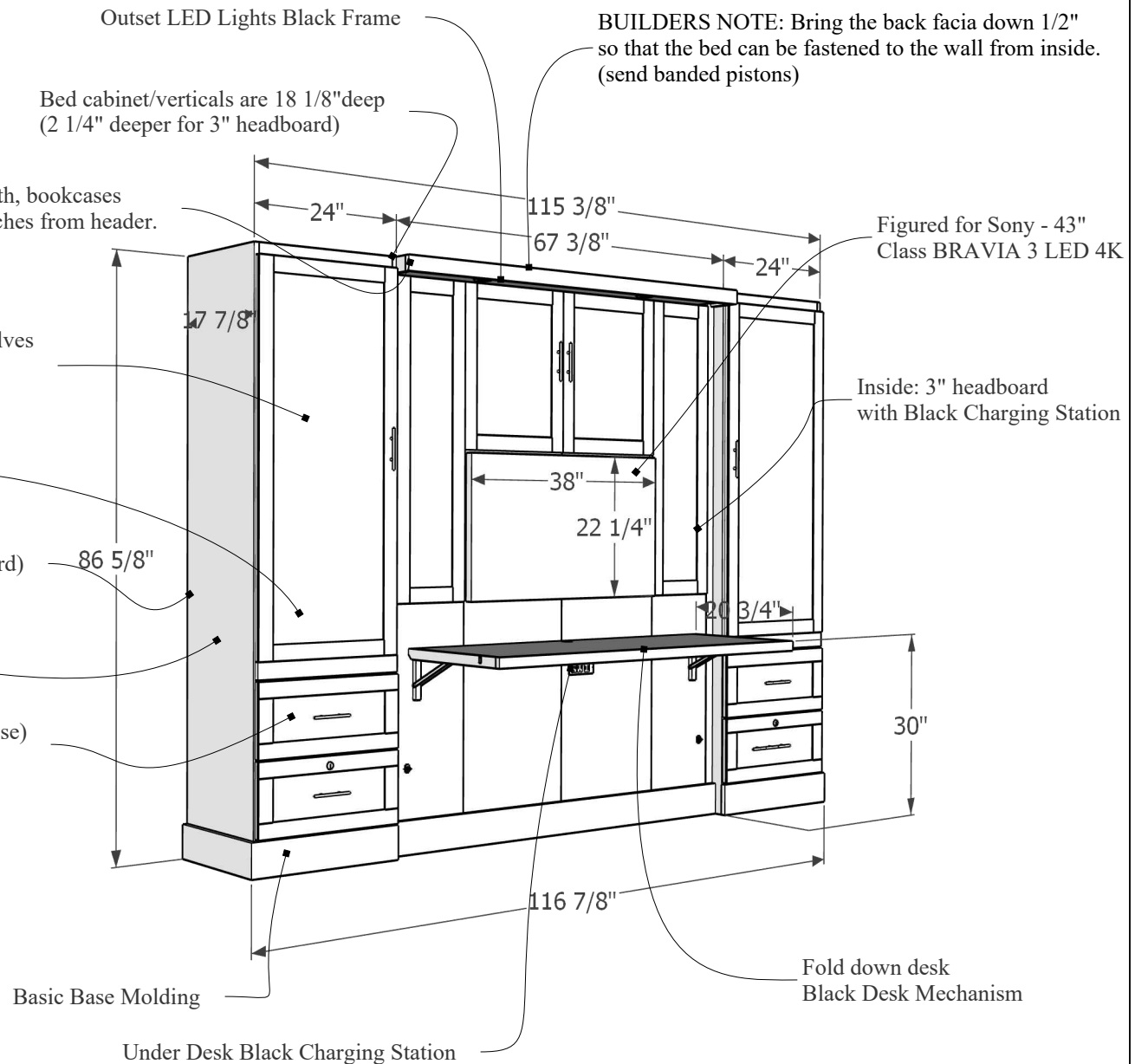
Inside Bookcase Black Charging Station (both sides)

2nd touch switch (other is on the headboard)

NOTE: Diagonal of the bookcase is 88.94"
 Do we need to take 1/2" off the top?

2 standard drawers each side (soft close)
 Locks on lower drawers only
**BUILDERS NOTE: THE
 HEIGHT OF THE BED AND
 BOOKCASES WILL BE 1/2
 SHORTER THAN NORMAL.**

**BUILDERS NOTE:
 Holes in the back of the
 bookcase will be 2".**



BUILDERS NOTE: Bring the back facia down 1/2" so that the bed can be fastened to the wall from inside. (send banded pistons)

Figured for Sony - 43" Class BRAVIA 3 LED 4K

Inside: 3" headboard with Black Charging Station

Fold down desk
 Black Desk Mechanism

Main Drawing with Measurements



It's like having your own shop!

Style 143-1225
 Work Order 1547

REVISIONS

	MM/DD/YY	REMARKS
1	11/19/25	Basic overhang top mld removed
2	11/21/25	Made 1/2" shorter
3	11/21/25	Making holes in bookcase 2".
4	--/--/--	...
5	--/--/--	...

03

A

Style 143-1225
 Work Order 1547
 Queen
 Dark Walnut

NOTE: Diagonal of the bookcase is 88.45"
 since we took 1/2" off the top.



Drawing Projection



It's like having your own shop!
 Style 143-1225
 Work Order 1547

REVISIONS		
	MM/DD/YY	REMARKS
1	11/19/25	Basic overhang top mld removed
2	11/21/25	Made 1/2" shorter
3	11/21/25	Making holes in bookcase 2".
4	--/--/--	...
5	--/--/--	...

A 04



Face Closed



It's like having your own shop!

Style 143-1225
Work Order 1547

REVISIONS

	MM/DD/YY	REMARKS
1	11/19/25	Basic overhang top mld removed
2	11/21/25	Made 1/2" shorter
3	11/21/25	Making holes in bookcase 2".
4	--/--/--	...
5	--/--/--	...

A 05

A



Face Open



It's like having your own shop!

Style 143-1225
Work Order 1547

REVISIONS

	MM/DD/YY	REMARKS
1	11/19/25	Basic overhang top mld removed
2	11/21/25	Made 1/2" shorter
3	11/21/25	Making holes in bookcase 2".
4	--/--/--	...
5	--/--/--	...

A 06



Desk



It's like having your own shop!

Style 143-1225
Work Order 1547

REVISIONS

	MM/DD/YY	REMARKS
1	11/19/25	Basic overhang top mld removed
2	11/21/25	Made 1/2" shorter
3	11/21/25	Making holes in bookcase 2".
4	--/--/--	...
5	--/--/--	...

07

A



Desk Down



It's like having your own shop!

Style 143-1225
Work Order 1547

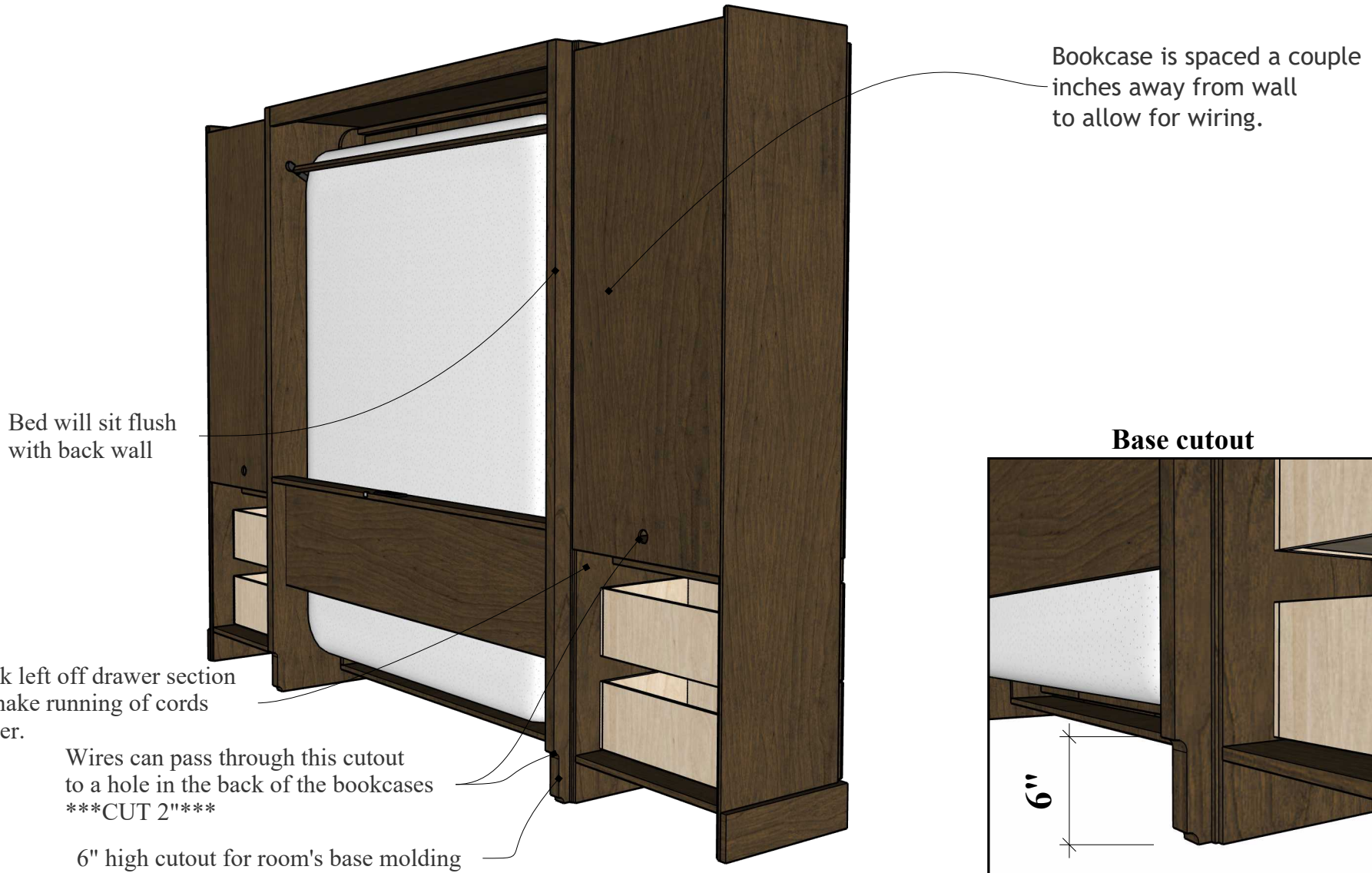
REVISIONS

	MM/DD/YY	REMARKS
1	11/19/25	Basic overhang top mld removed
2	11/21/25	Made 1/2" shorter
3	11/21/25	Making holes in bookcase 2".
4	--/--/--	...
5	--/--/--	...

08

A

Base Molding Cutout



Bed will sit flush with back wall

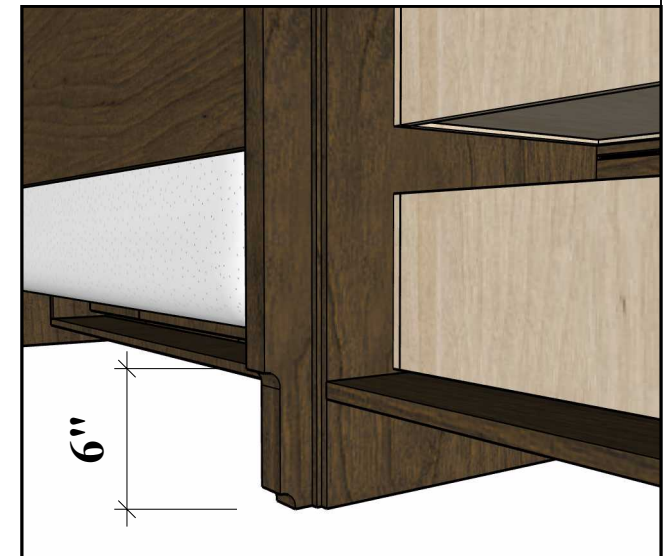
Bookcase is spaced a couple inches away from wall to allow for wiring.

Back left off drawer section to make running of cords easier.

Wires can pass through this cutout to a hole in the back of the bookcases
CUT 2"

6" high cutout for room's base molding

Base cutout



Base Molding Cutout



It's like having your own shop!

Style 143-1225
Work Order 1547

REVISIONS

	MM/DD/YY	REMARKS
1	11/19/25	Basic overhang top mld removed
2	11/21/25	Made 1/2" shorter
3	11/21/25	Making holes in bookcase 2".
4	--/--/--	...
5	--/--/--	...

09

A



Drink Trays



It's like having your own shop!

Style 143-1225
Work Order 1547

REVISIONS

	MM/DD/YY	REMARKS
1	11/19/25	Basic overhang top mld removed
2	11/21/25	Made 1/2" shorter
3	11/21/25	Making holes in bookcase 2".
4	--/--/--	...
5	--/--/--	...



Outset LED Lights Black Frame

Lights


 It's like having your own shop!
 Style 143-1225
 Work Order 1547

REVISIONS		
	MM/DD/YY	REMARKS
1	11/19/25	Basic overhang top mld removed
2	11/21/25	Made 1/2" shorter
3	11/21/25	Making holes in bookcase 2".
4	--/--/--	...
5	--/--/--	...



Under Desk Charging Station



It's like having your own shop!

Style 143-1225
Work Order 1547

REVISIONS

	MM/DD/YY	REMARKS
1	11/19/25	Basic overhang top mld removed
2	11/21/25	Made 1/2" shorter
3	11/21/25	Making holes in bookcase 2".
4	--/--/--	...
5	--/--/--	...



Bookcase Open



It's like having your own shop!

Style 143-1225
Work Order 1547

REVISIONS

	MM/DD/YY	REMARKS
1	11/19/25	Basic overhang top mld removed
2	11/21/25	Made 1/2" shorter
3	11/21/25	Making holes in bookcase 2".
4	--/--/--	...
5	--/--/--	...



Bookcase Drawer



It's like having your own shop!

Style 143-1225
Work Order 1547

REVISIONS

	MM/DD/YY	REMARKS
1	11/19/25	Basic overhang top mld removed
2	11/21/25	Made 1/2" shorter
3	11/21/25	Making holes in bookcase 2".
4	--/--/--	...
5	--/--/--	...



Bookcase Charging Station



It's like having your own shop!

Style 143-1225
Work Order 1547

REVISIONS

	MM/DD/YY	REMARKS
1	11/19/25	Basic overhang top mld removed
2	11/21/25	Made 1/2" shorter
3	11/21/25	Making holes in bookcase 2".
4	--/--/--	...
5	--/--/--	...



Touch switch for lights

Headboard



It's like having your own shop!

Style 143-1225
Work Order 1547

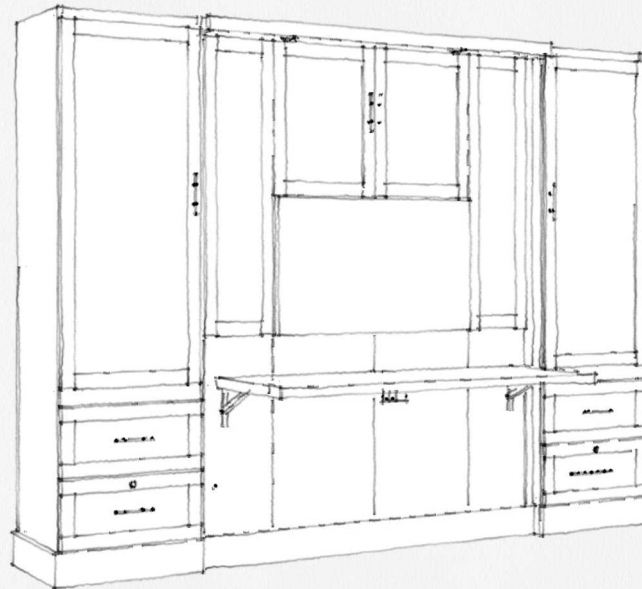
REVISIONS

	MM/DD/YY	REMARKS
1	11/19/25	Basic overhang top mld removed
2	11/21/25	Made 1/2" shorter
3	11/21/25	Making holes in bookcase 2".
4	--/--/--	...
5	--/--/--	...

More Extras

More extras can be added to your murphy bed design. Examples of those can be found at:

www.wwbeds.com/murphy-bed-extras



More Extras



It's like having your own shop!

Style 143-1225
Work Order 1547

REVISIONS

	MM/DD/YY	REMARKS
1	11/19/25	Basic overhang top mld removed
2	11/21/25	Made 1/2" shorter
3	11/21/25	Making holes in bookcase 2".
4	--/--/--	...
5	--/--/--	...