

Style 1116-1225
Work Order 1545



It's like having your own shop!

Drawn By: Chris Davis

Last Modified: December 18, 2025

Style 1116-1225

Work Order 1545

Wood: Maple

Color: Black lacquer (lower sheen)

Size: King

Hardware: Customer supplied pulls



Info Page



It's like having your own shop!

Style 1116-1225
Work Order 1545

REVISIONS

	MM/DD/YY	REMARKS
1	11/16/25 (Ro)	Added soft close doors and drawers, added lower
2		Nightstand to be a door section, changed base to
3		Standard Base, added custom color
4	11/21/25 (R1)	Changed trim under top of nightstand (raised 1"),
5		updated hardware and color.

02

A

Customers space trim to trim is 154"
89" between windows.

Style 1116-1225
Work Order 1545

Size: King

Wood: Maple

Color: Black lacquer (lower sheen)

Hardware: Customer supplied pulls

Cabinet depth is 2" deeper for 13 3/4" thick mattress. NOTE: Gap between mattress and headboard also grows 2".

Standard Crown

Inset LED Lights Black Frame

BUILDERS NOTE: Top doors 17"h and 3 panels in the center.

Customer supplied TV and soundbar:
-TV 65" Class LS03D
-Sound Bar Sonos Beam (gen 2)
(Mid point of TV is approx. 50" from the floor)
NOTE King with a 65" will be a little heavier than our normal beds.

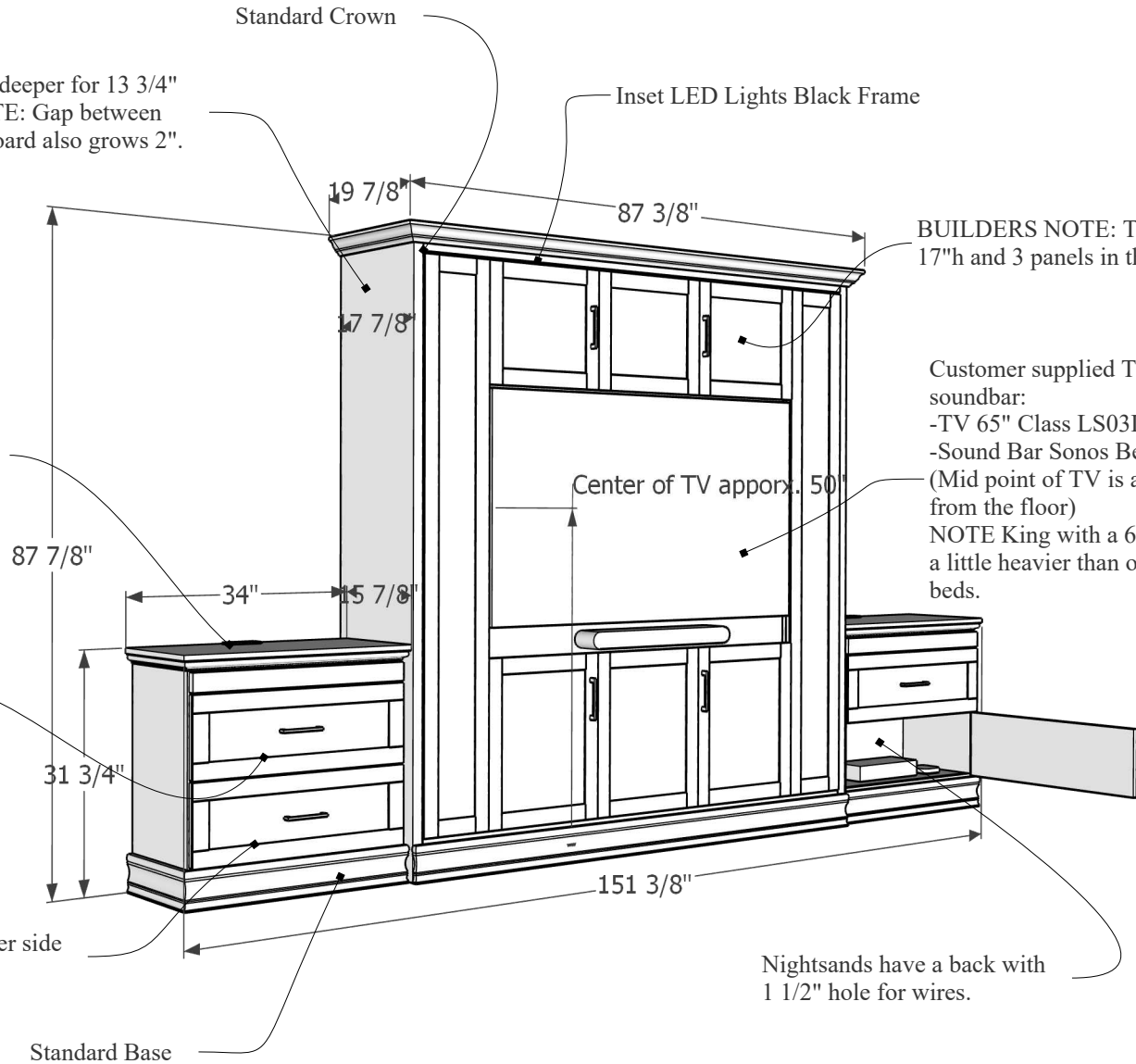
Black Charging Station (both nightstands)

Center of TV approx. 50"

Top Drawer (soft close)
Lower door that looks like a drawer (soft close)
Drawers boxes supplied by customer
(both nightstands are the same, but the doors open inverse of each other.)

This door is inverse the other side (soft close)

Nightsands have a back with 1 1/2" hole for wires.



Main Drawing with Measurements



It's like having your own shop!

Style 1116-1225
Work Order 1545

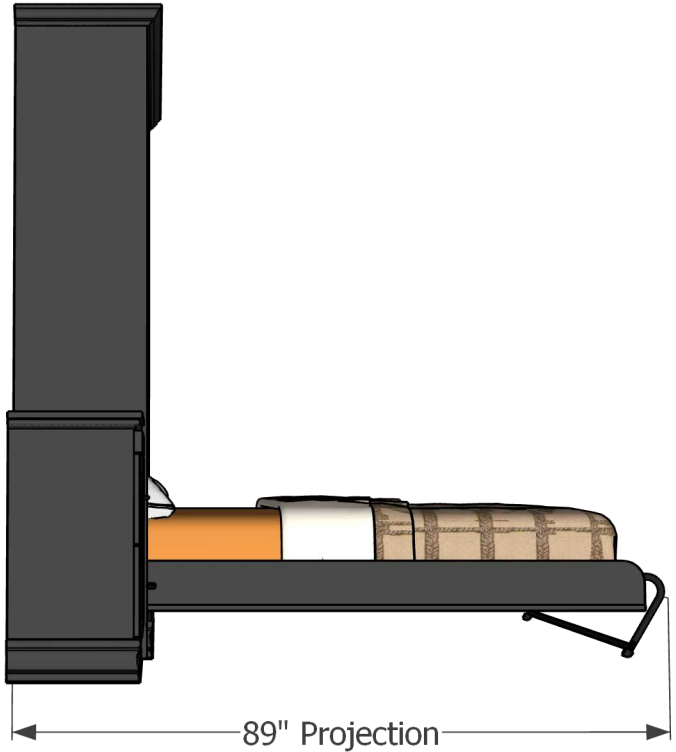
REVISIONS

	MM/DD/YY	REMARKS
1	11/16/25 (Ro)	Added soft close doors and drawers, added lower
2		Nightstand to be a door section, changed base to
3		Standard Base, added custom color
4	11/21/25 (R1)	Changed trim under top of nightstand (raised 1"),
5		updated hardware and color.

03

A

Style 1116-1225
Work Order 1545
 King
 Black lacquer (lower sheen)



Drawing Projection



It's like having your own shop!
 Style 1116-1225
 Work Order 1545

REVISIONS		
	MM/DD/YY	REMARKS
1	11/16/25 (Ro)	Added soft close doors and drawers, added lower
2		Nightstand to be a door section, changed base to
3		Standard Base, added custom color
4	11/21/25 (R1)	Changed trim under top of nightstand (raised 1"),
5		updated hardware and color.

A 04



Face Closed



It's like having your own shop!

Style 1116-1225
Work Order 1545

REVISIONS

	MM/DD/YY	REMARKS
1	11/16/25 (Ro)	Added soft close doors and drawers, added lower
2		Nightstand to be a door section, changed base to
3		Standard Base, added custom color
4	11/21/25 (R1)	Changed trim under top of nightstand (raised 1"),
5		updated hardware and color.

A 05

A



Face Open



It's like having your own shop!

Style 1116-1225
Work Order 1545

REVISIONS

	MM/DD/YY	REMARKS
1	11/16/25 (Ro)	Added soft close doors and drawers, added lower
2		Nightstand to be a door section, changed base to
3		Standard Base, added custom color
4	11/21/25 (R1)	Changed trim under top of nightstand (raised 1"),
5		updated hardware and color.

A 06



TV



It's like having your own shop!

Style 1116-1225

Work Order 1545

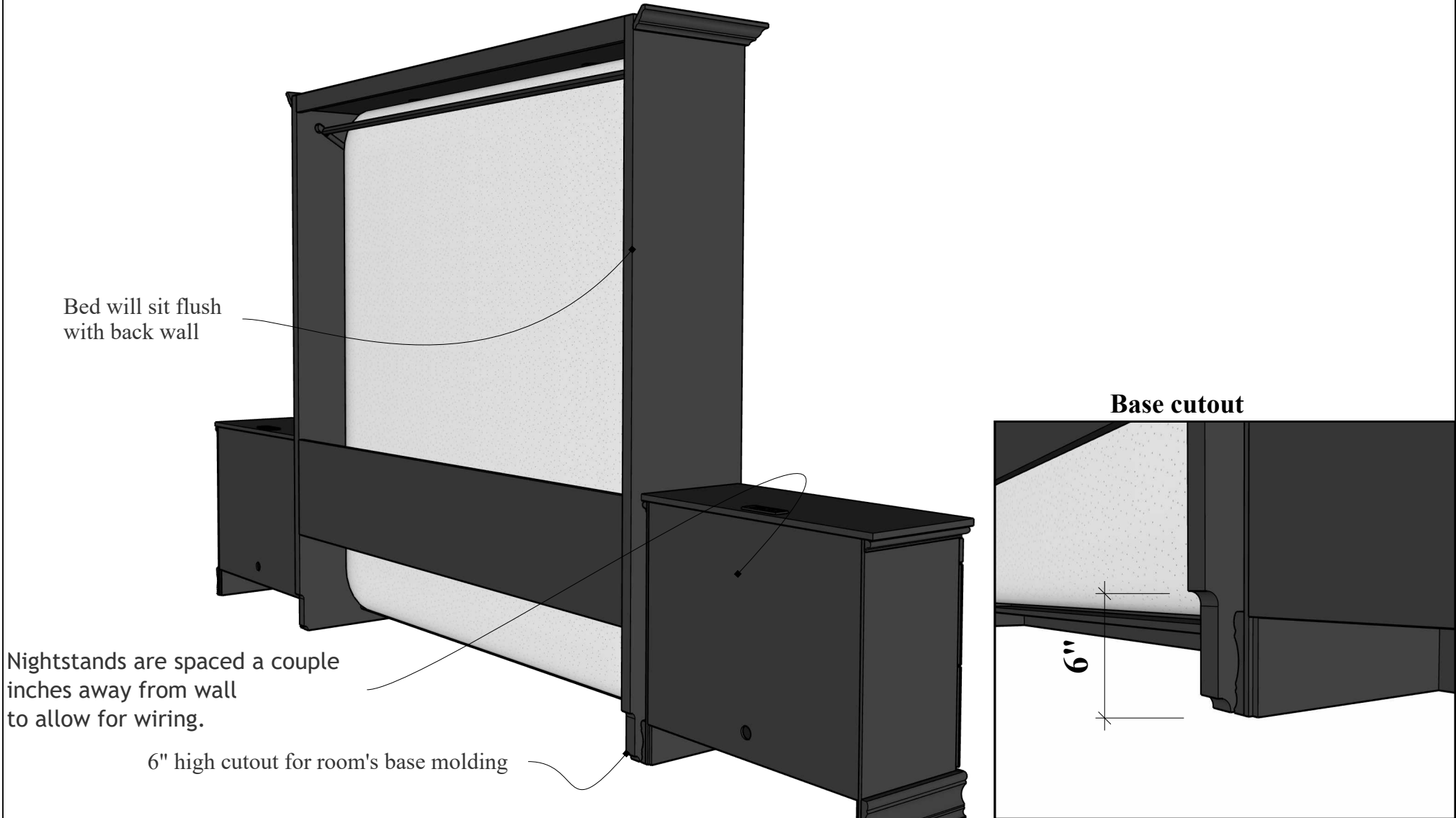
REVISIONS

	MM/DD/YY	REMARKS
1	11/16/25 (Ro)	Added soft close doors and drawers, added lower
2		Nightstand to be a door section, changed base to
3		Standard Base, added custom color
4	11/21/25 (R1)	Changed trim under top of nightstand (raised 1"),
5		updated hardware and color.

07

A

Base Molding Cutout



Base Molding Cutout



It's like having your own shop!

Style 1116-1225
Work Order 1545

REVISIONS

	MM/DD/YY	REMARKS
1	11/16/25 (Ro)	Added soft close doors and drawers, added lower
2		Nightstand to be a door section, changed base to
3		Standard Base, added custom color
4	11/21/25 (R1)	Changed trim under top of nightstand (raised 1"),
5		updated hardware and color.

08

A



Drink Trays



It's like having your own shop!

Style 1116-1225
Work Order 1545

REVISIONS

	MM/DD/YY	REMARKS
1	11/16/25 (Ro)	Added soft close doors and drawers, added lower
2		Nightstand to be a door section, changed base to
3		Standard Base, added custom color
4	11/21/25 (R1)	Changed trim under top of nightstand (raised 1"),
5		updated hardware and color.



Inset LED Lights Black Frame

Lights



It's like having your own shop!

Style 1116-1225
Work Order 1545

REVISIONS

	MM/DD/YY	REMARKS
1	11/16/25 (Ro)	Added soft close doors and drawers, added lower
2		Nightstand to be a door section, changed base to
3		Standard Base, added custom color
4	11/21/25 (R1)	Changed trim under top of nightstand (raised 1"),
5		updated hardware and color.



Nightstand Open



It's like having your own shop!

Style 1116-1225
Work Order 1545

REVISIONS

	MM/DD/YY	REMARKS
1	11/16/25 (Ro)	Added soft close doors and drawers, added lower
2		Nightstand to be a door section, changed base to
3		Standard Base, added custom color
4	11/21/25 (R1)	Changed trim under top of nightstand (raised 1"),
5		updated hardware and color.



Nightstand Drawer



It's like having your own shop!
 Style 1116-1225
 Work Order 1545

REVISIONS		
	MM/DD/YY	REMARKS
1	11/16/25 (Ro)	Added soft close doors and drawers, added lower
2		Nightstand to be a door section, changed base to
3		Standard Base, added custom color
4	11/21/25 (R1)	Changed trim under top of nightstand (raised 1"),
5		updated hardware and color.



Nightstand Door



It's like having your own shop!

Style 1116-1225
Work Order 1545

REVISIONS

	MM/DD/YY	REMARKS
1	11/16/25 (Ro)	Added soft close doors and drawers, added lower
2		Nightstand to be a door section, changed base to
3		Standard Base, added custom color
4	11/21/25 (R1)	Changed trim under top of nightstand (raised 1"),
5		updated hardware and color.



Top and molding (back view)

Nightstand Top (from top)

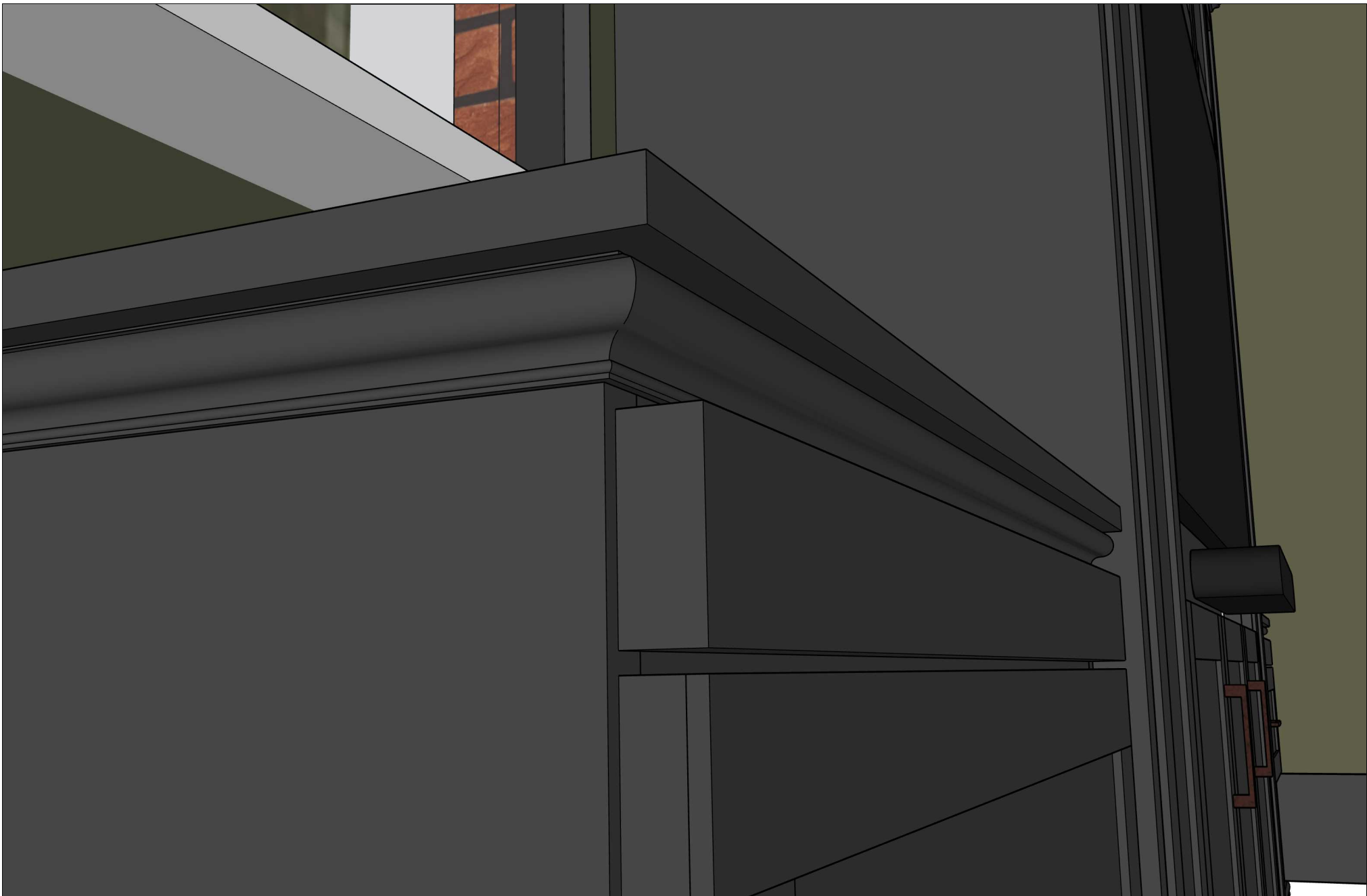


It's like having your own shop!

Style 1116-1225
Work Order 1545

REVISIONS

	MM/DD/YY	REMARKS
1	11/16/25 (Ro)	Added soft close doors and drawers, added lower
2		Nightstand to be a door section, changed base to
3		Standard Base, added custom color
4	11/21/25 (R1)	Changed trim under top of nightstand (raised 1"),
5		updated hardware and color.



Nightstand Top (from bottom)

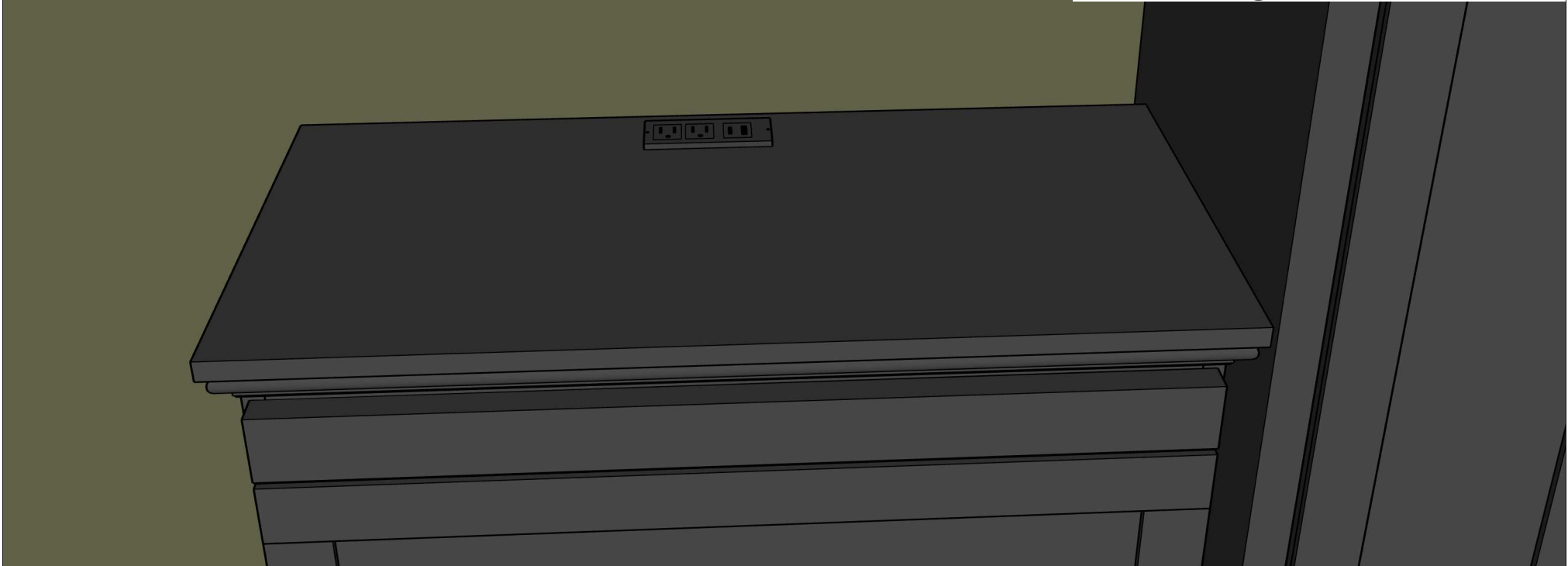
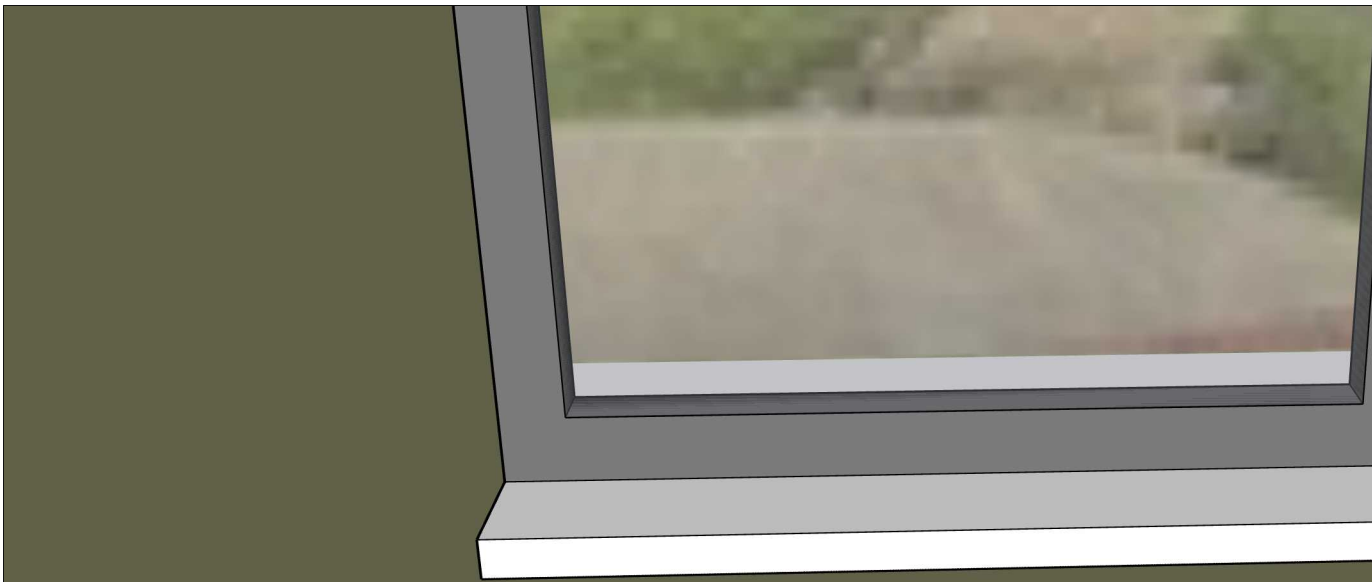


It's like having your own shop!

Style 1116-1225
Work Order 1545

REVISIONS

	MM/DD/YY	REMARKS
1	11/16/25 (Ro)	Added soft close doors and drawers, added lower
2		Nightstand to be a door section, changed base to
3		Standard Base, added custom color
4	11/21/25 (R1)	Changed trim under top of nightstand (raised 1"),
5		updated hardware and color.



Bookcase Charging Station



It's like having your own shop!

Style 1116-1225
Work Order 1545

REVISIONS

	MM/DD/YY	REMARKS
1	11/16/25 (Ro)	Added soft close doors and drawers, added lower
2		Nightstand to be a door section, changed base to
3		Standard Base, added custom color
4	11/21/25 (R1)	Changed trim under top of nightstand (raised 1"),
5		updated hardware and color.



Light touch plate

Headboard

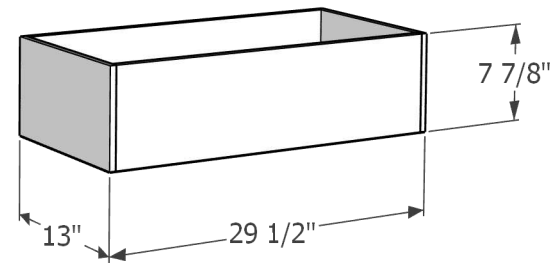
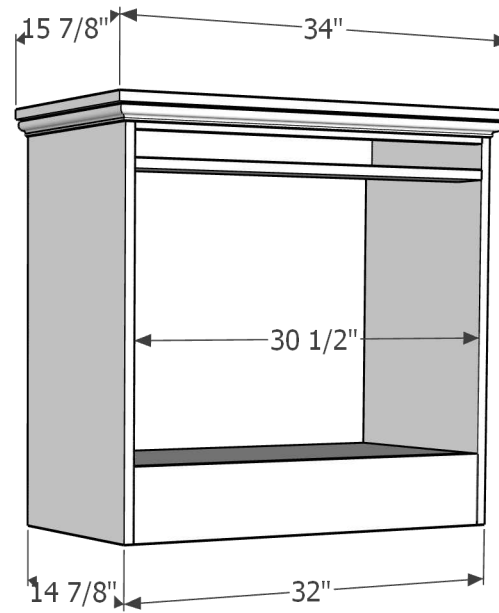
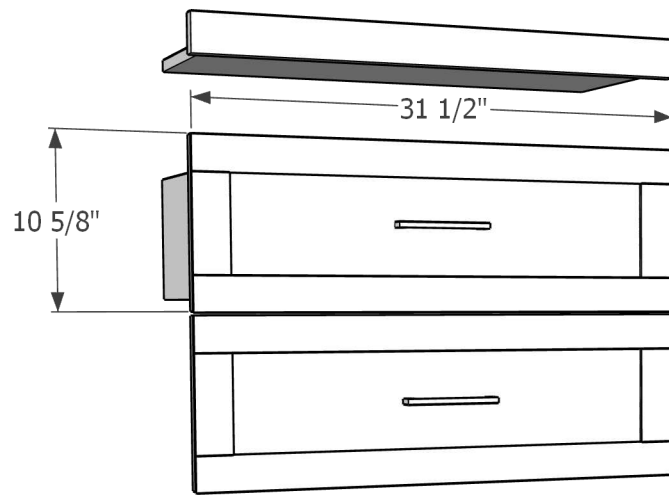


It's like having your own shop!

Style 1116-1225
Work Order 1545

REVISIONS

	MM/DD/YY	REMARKS
1	11/16/25 (Ro)	Added soft close doors and drawers, added lower
2		Nightstand to be a door section, changed base to
3		Standard Base, added custom color
4	11/21/25 (R1)	Changed trim under top of nightstand (raised 1"),
5		updated hardware and color.



Drawer box specifications:

- 2 drawer boxes
- Suggested size 29 1/2"w x 13"d x 7 7/8"h
- We will be using full extension side mount rails with 1" total clearance needed on the width

- Width must be 29 1/2" wide (+0/-1/16)
- Max depth 13" (can be shorter)
- Suggested Height 7 7/8"
- Height can be up to 8 7/8" and can be shorter

Drawer Info



It's like having your own shop!

Style 1116-1225
Work Order 1545

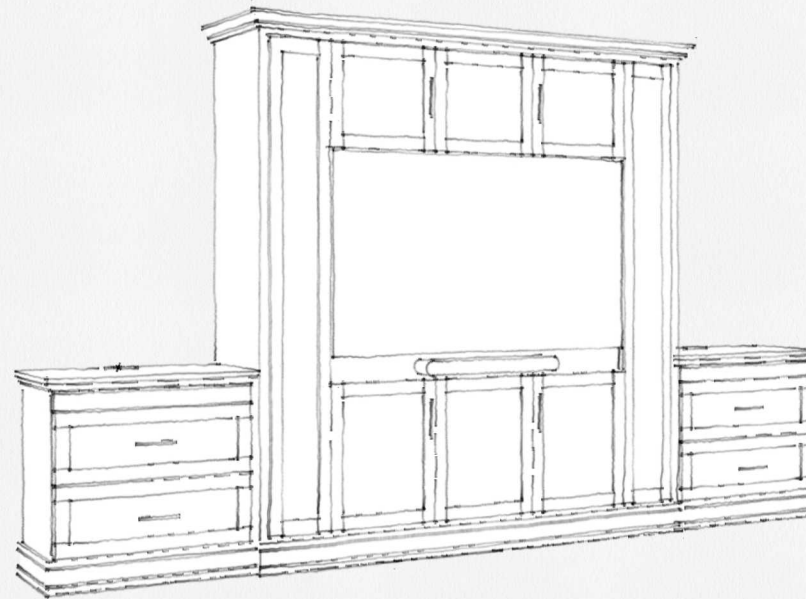
REVISIONS

	MM/DD/YY	REMARKS
1	11/16/25 (Ro)	Added soft close doors and drawers, added lower
2		Nightstand to be a door section, changed base to
3		Standard Base, added custom color
4	11/21/25 (R1)	Changed trim under top of nightstand (raised 1"),
5		updated hardware and color.

More Extras

More extras can be added to your murphy bed design. Examples of those can be found at:

www.wwbeds.com/murphy-bed-extras



More Extras



It's like having your own shop!

Style 1116-1225
Work Order 1545

REVISIONS

	MM/DD/YY	REMARKS
1	11/16/25 (Ro)	Added soft close doors and drawers, added lower
2		Nightstand to be a door section, changed base to
3		Standard Base, added custom color
4	11/21/25 (R1)	Changed trim under top of nightstand (raised 1"),
5		updated hardware and color.