



Mark Merrill
Work Order 1130



It's like having your own shop!

Drawn By: Chris Davis

Last Modified: July 31, 2023



Mark Merrill
Work Order 1130



It's like having your own shop!

Drawn By: Chris Davis

Last Modified: July 31, 2023

Mark Merrill
Work Order 1130
Wood: Oak
Color: Red Mahogany
Size: Queen
Hardware: Oil Rubbed Bronze Knobs



1 1/4" d Knobs
 Oil Rubbed Bronze

Info Page



It's like having your own shop!

Mark Merrill
 Work Order 1130

REVISIONS

	MM/DD/YY	REMARKS
1	7/19/23	Updated hardware and added BC Charging
2	7/20/23	Corrected Charging Station on the left only
3	--/--/--	...
4	--/--/--	...
5	--/--/--	...

A 02

A

**Mark Merrill
Work Order 1130**

Size: Queen

Wood: Oak

Color: Red Mahogany

Hardware: Oil Rubbed Bronze Knobs

Smith Face
(adapted for Stay
Level desk)

47 3/4" h panels

From: Cabinet Door Shop

11 5/8" top section (shelves)

Bookcase Black Charging Station
(left side only)

18" lower section with door

Standard Base Molding

Standard Crown

103"

thicker verticals

Stay level Desk

Lower panels
34 9/16 (34.5625)

91"

86"

67"

100 1/2"

16"



It's like having your own shop!

Mark Merrill
Work Order 1130

REVISIONS

	MM/DD/YY	REMARKS
1	7/19/23	Updated hardware and added BC Charging
2	7/20/23	Corrected Charging Station on the left only
3	--/--/--	...
4	--/--/--	...
5	--/--/--	...

Main Drawing with Measurements

03

A



Face Open



It's like having your own shop!

Mark Merrill
Work Order 1130

REVISIONS

	MM/DD/YY	REMARKS
1	7/19/23	Updated hardware and added BC Charging
2	7/20/23	Corrected Charging Station on the left only
3	--/--/--	...
4	--/--/--	...
5	--/--/--	...

A 04

A



Drink Trays



It's like having your own shop!

Mark Merrill
Work Order 1130

REVISIONS

	MM/DD/YY	REMARKS
1	7/19/23	Updated hardware and added BC Charging
2	7/20/23	Corrected Charging Station on the left only
3	--/--/--	...
4	--/--/--	...
5	--/--/--	...

05

A



Bookcase Open



It's like having your own shop!

Mark Merrill
Work Order 1130

REVISIONS

	MM/DD/YY	REMARKS
1	7/19/23	Updated hardware and added BC Charging
2	7/20/23	Corrected Charging Station on the left only
3	--/--/--	...
4	--/--/--	...
5	--/--/--	...

06

A



Bookcase Charging Station



It's like having your own shop!

Mark Merrill
Work Order 1130

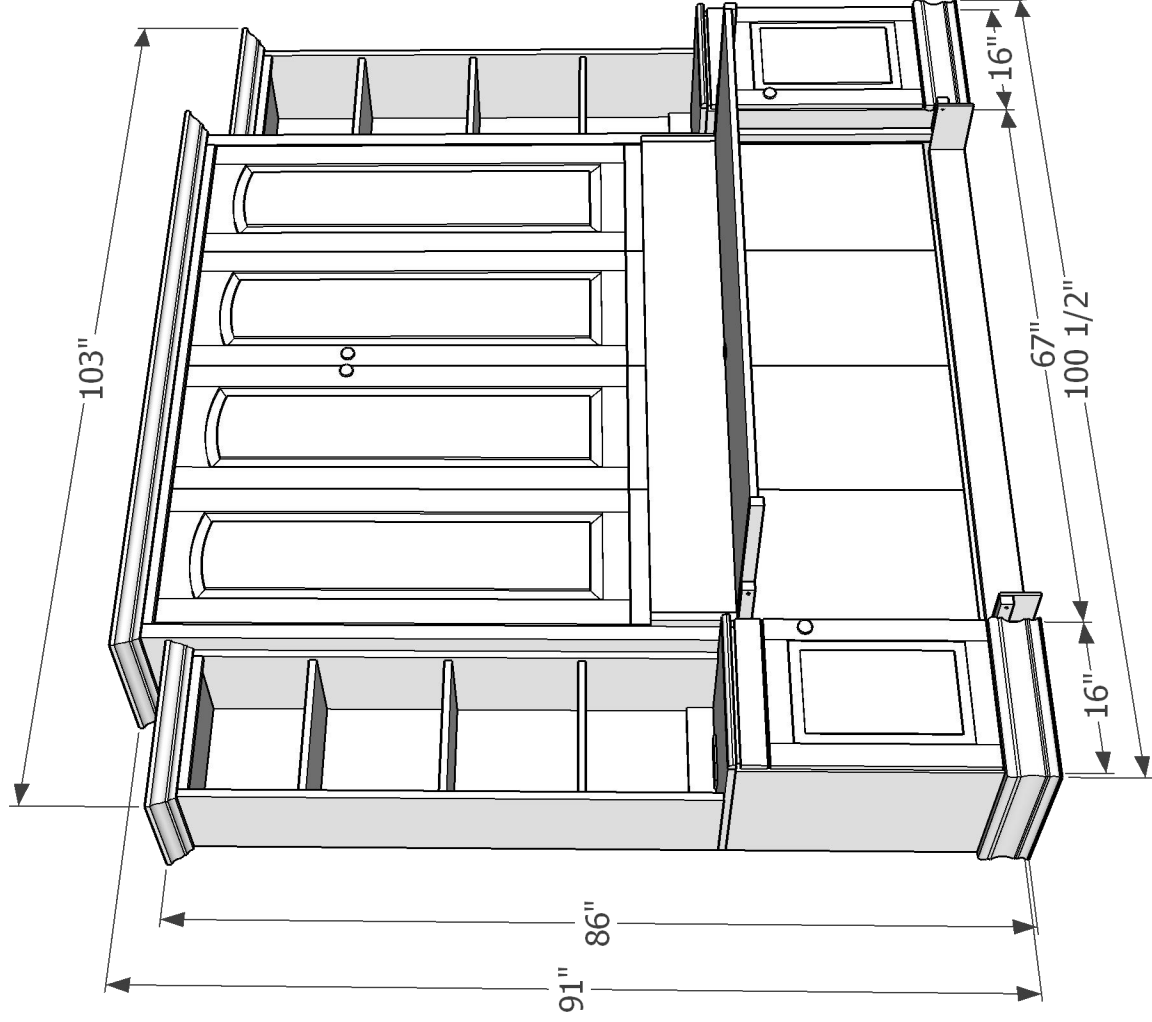
REVISIONS

	MM/DD/YY	REMARKS
1	7/19/23	Updated hardware and added BC Charging
2	7/20/23	Corrected Charging Station on the left only
3	--/--/--	...
4	--/--/--	...
5	--/--/--	...

Build | White Board

Size: Queen **Wood:** Oak **Color:** Red Mahogany

Mark Merrill Work Order 1130



Mark Merrill
Work Order 1130

Size: Queen

Wood: Oak

Color: Red Mahogany

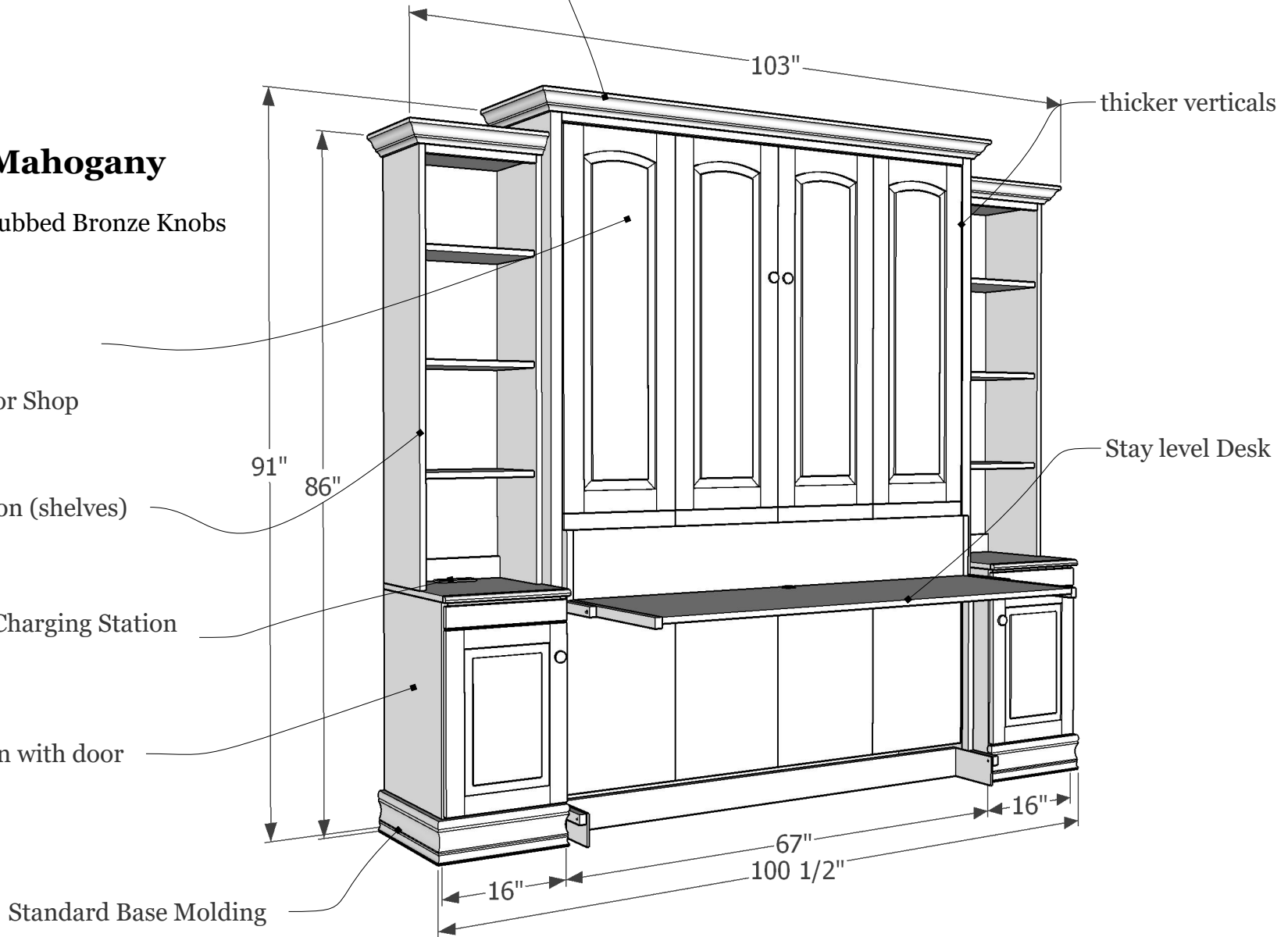
Hardware: Oil Rubbed Bronze Knobs

Smith Face
 (adapted for Stay
 Level desk)

47 3/4" h panels

From: Cabinet Door Shop

Build Department



Build Department


WWBeds
 Custom Furniture
 It's like having your own shop!
Mark Merrill
 Work Order 1130

REVISIONS		
	MM/DD/YY	REMARKS
1	7/19/23	Updated hardware and added BC Charging
2	7/20/23	Corrected Charging Station on the left only
3	--/--/--	...
4	--/--/--	...
5	--/--/--	...

A 09

Mark Merrill
Work Order 1130
 Queen
 Red Mahogany

Build Assembly Department

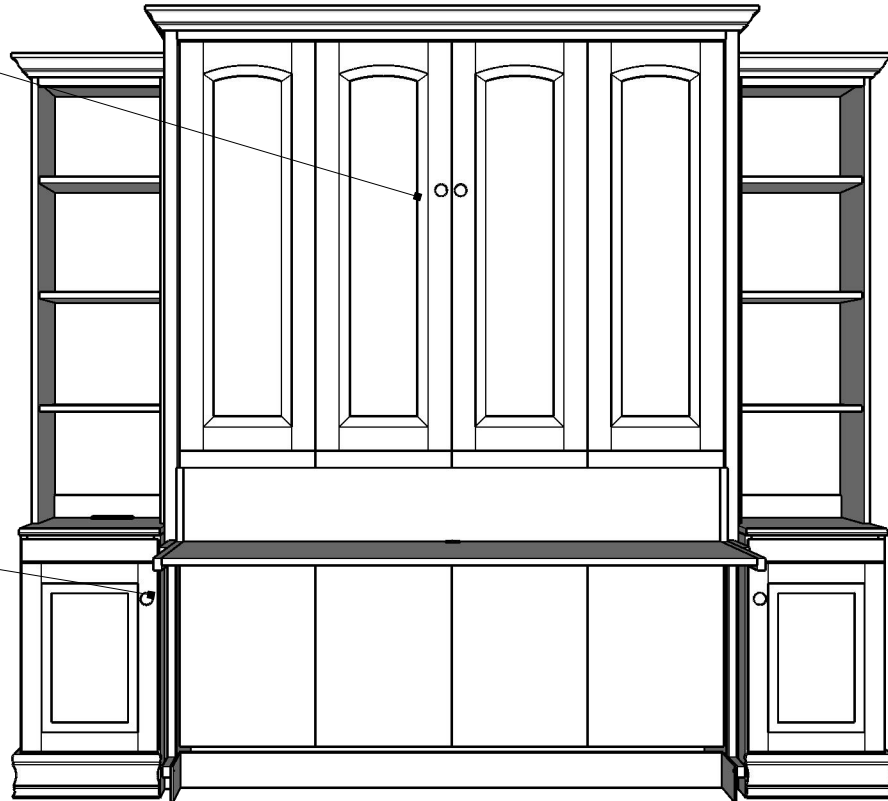
Hardware: Oil Rubbed Bronze Knobs

Face Hardware (Queen/King):
Up/Down (top hole at 16" from top)

Left/Right Centered on molding.

Lower Door Hardware:
Up/down: Top hole at 4" from top

Left/Right: Centered on molding.



Build Hardware



It's like having your own shop!

Mark Merrill
 Work Order 1130

REVISIONS

	MM/DD/YY	REMARKS
1	7/19/23	Updated hardware and added BC Charging
2	7/20/23	Corrected Charging Station on the left only
3	--/--/--	...
4	--/--/--	...
5	--/--/--	...

Build Checklist

Phase 1

- 4 Panel Face with Desk
- 4 Raised Panel Faces
 - 2 or 4 Lower Fronts Plywood
 - 2 Verticals (on legs?)
 - 1 Headboard (on legs?)
 - 1 Header (on legs?)
 - 2 Bottom 4" Base (on legs?)
 - 1 Desk Riser
 - 1 Desk Board
 - 1 Crown Molding
 - Hardware Holes Drilled?
 -
 -
 -
 -
 - Ready to finish?

Phase 2

- Bookcases
- 2 Cabinets
 - 2 Backs
 - 2 Doors
 - 2 Trays
 - 6 Upper Adj. Shelves
 - 2 Lower Adj. Shelves
 - 1 Crown Molding
 - 1 Base Molding (attached)
 - Charging Station cut (LEFT ONLY)?
 - Hardware Holes Drilled?
 -
 -
 -
 -
 - Ready to finish?

Signed off by: _____

Signed off by: _____

Build Checklist



It's like having your own shop!

Mark Merrill
Work Order 1130

REVISIONS

	MM/DD/YY	REMARKS
1	7/19/23	Updated hardware and added BC Charging
2	7/20/23	Corrected Charging Station on the left only
3	--/--/--	...
4	--/--/--	...
5	--/--/--	...

Mark Merrill
Work Order 1130

Size: Queen

Wood: Oak

Color: Red Mahogany

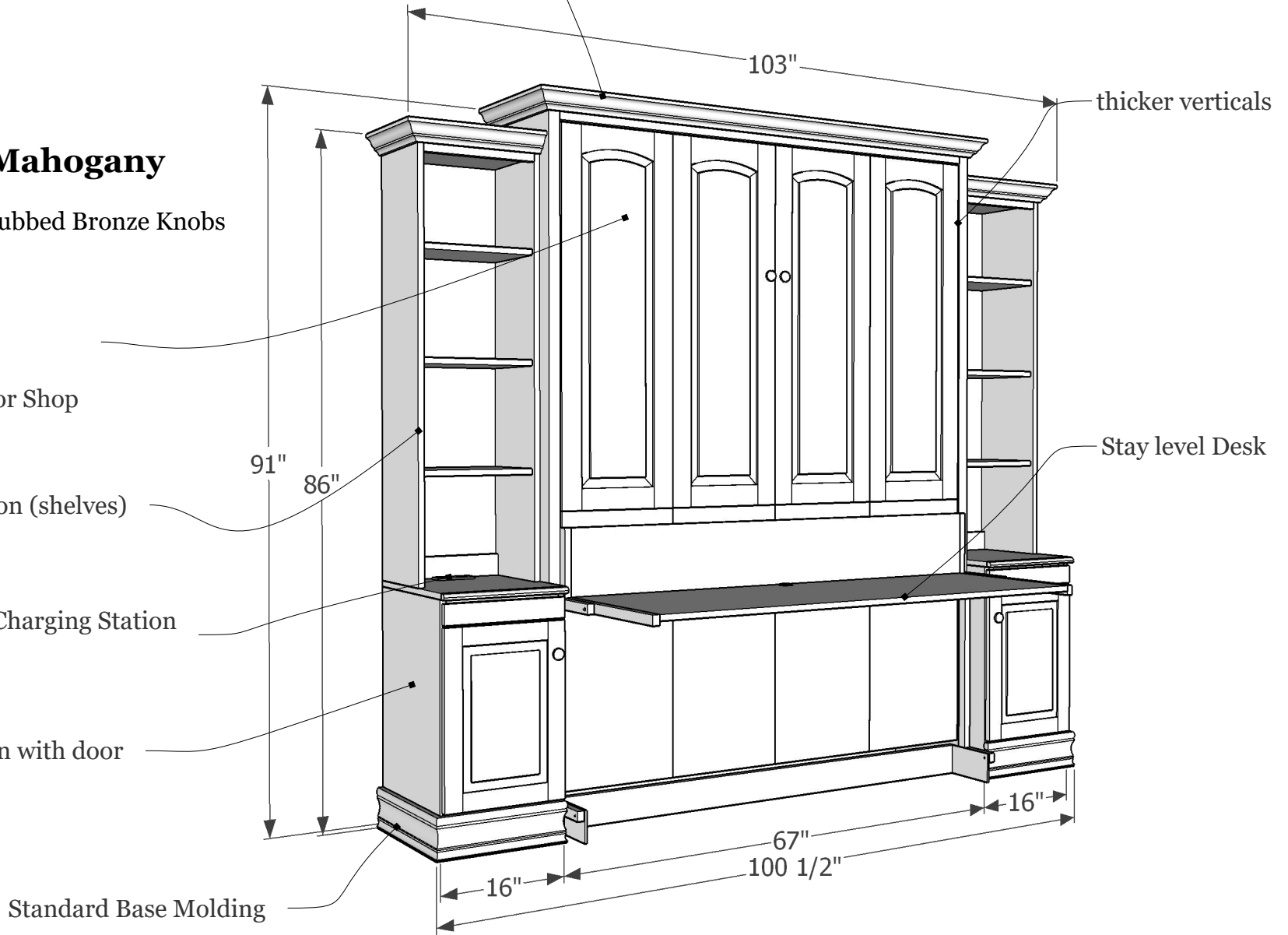
Hardware: Oil Rubbed Bronze Knobs

Smith Face
 (adapted for Stay
 Level desk)

47 3/4" h panels

From: Cabinet Door Shop

Finish Department



Finish Department



It's like having your own shop!

Mark Merrill
 Work Order 1130

REVISIONS

	MM/DD/YY	REMARKS
1	7/19/23	Updated hardware and added BC Charging
2	7/20/23	Corrected Charging Station on the left only
3	--/--/--	...
4	--/--/--	...
5	--/--/--	...

Finish Checklist

Phase 1

- 4 Panel Face with Desk
- 4 Raised Panel Faces
 - 2 or 4 Lower Fronts Plywood
 - 2 Verticals (on legs?)
 - 1 Headboard (on legs?)
 - 1 Header (on legs?)
 - 2 Bottom 4" Base (on legs?)
 - 1 Desk Riser
 - 1 Desk Board
 - 1 Crown Molding
 - Hardware Holes Drilled?
 -
 -
 -
 -
 - Ready to finish?

Phase 2

- Bookcases
- 2 Cabinets
 - 2 Backs
 - 2 Doors
 - 2 Trays
 - 6 Upper Adj. Shelves
 - 2 Lower Adj. Shelves
 - 1 Crown Molding
 - 1 Base Molding (attached)
 - Charging Station cut (LEFT ONLY)?
 - Hardware Holes Drilled?
 -
 -
 -
 -
 - Ready to finish?

Signed off by: _____

Signed off by: _____

Finish Checklist



It's like having your own shop!

Mark Merrill
Work Order 1130

REVISIONS

	MM/DD/YY	REMARKS
1	7/19/23	Updated hardware and added BC Charging
2	7/20/23	Corrected Charging Station on the left only
3	--/--/--	...
4	--/--/--	...
5	--/--/--	...

Mark Merrill
 Work Order 1130
 Queen
 Red Mahogany

Final Assembly/Boxing

Hardware: Oil Rubbed Bronze Knobs

Headboard Silver Plate

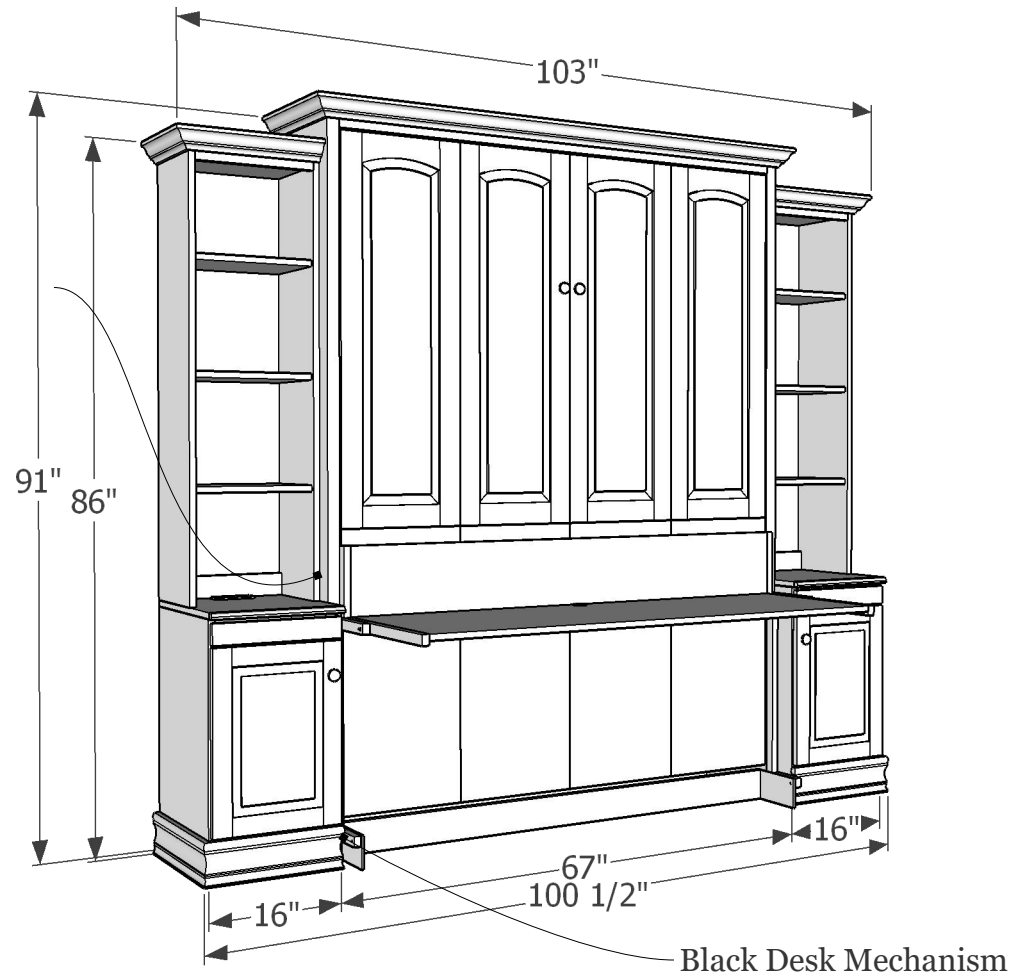
Black Charging Station (LEFT ONLY)

2nd Plate Location (Silver Plate)

**Rail sizes:
 16" TRAY**

**Springs:
 6 each side**

*If even number skip middle.



Final Assembly/Boxing



It's like having your own shop!

Mark Merrill
 Work Order 1130

REVISIONS

	MM/DD/YY	REMARKS
1	7/19/23	Updated hardware and added BC Charging
2	7/20/23	Corrected Charging Station on the left only
3	--/--/--	...
4	--/--/--	...
5	--/--/--	...