



Donna Walton



It's like having your own shop!

Drawn By: Chris Davis

Last Modified: November 20, 2023



Wall Hidden

Donna Walton



It's like having your own shop!

Drawn By: Chris Davis

Last Modified: November 20, 2023

Donna Walton

Wood: Red Oak

Color: Pickled Oak

Size: Full

Hardware: 6" Nickel Bar Pulls



6" Bar Pulls
Nickel

Info Page



It's like having your own shop!

Donna Walton

REVISIONS

	MM/DD/YY	REMARKS
1	8/22/23	Drew in some walls
2	9/5/23	Changed to full size, made desk longer
3	--/--/--	made cabinet flush with desktop.
4	9/29/23	Flipped the design
5	10/4/23	Added hardware and made drawer section deeper

A 02

A

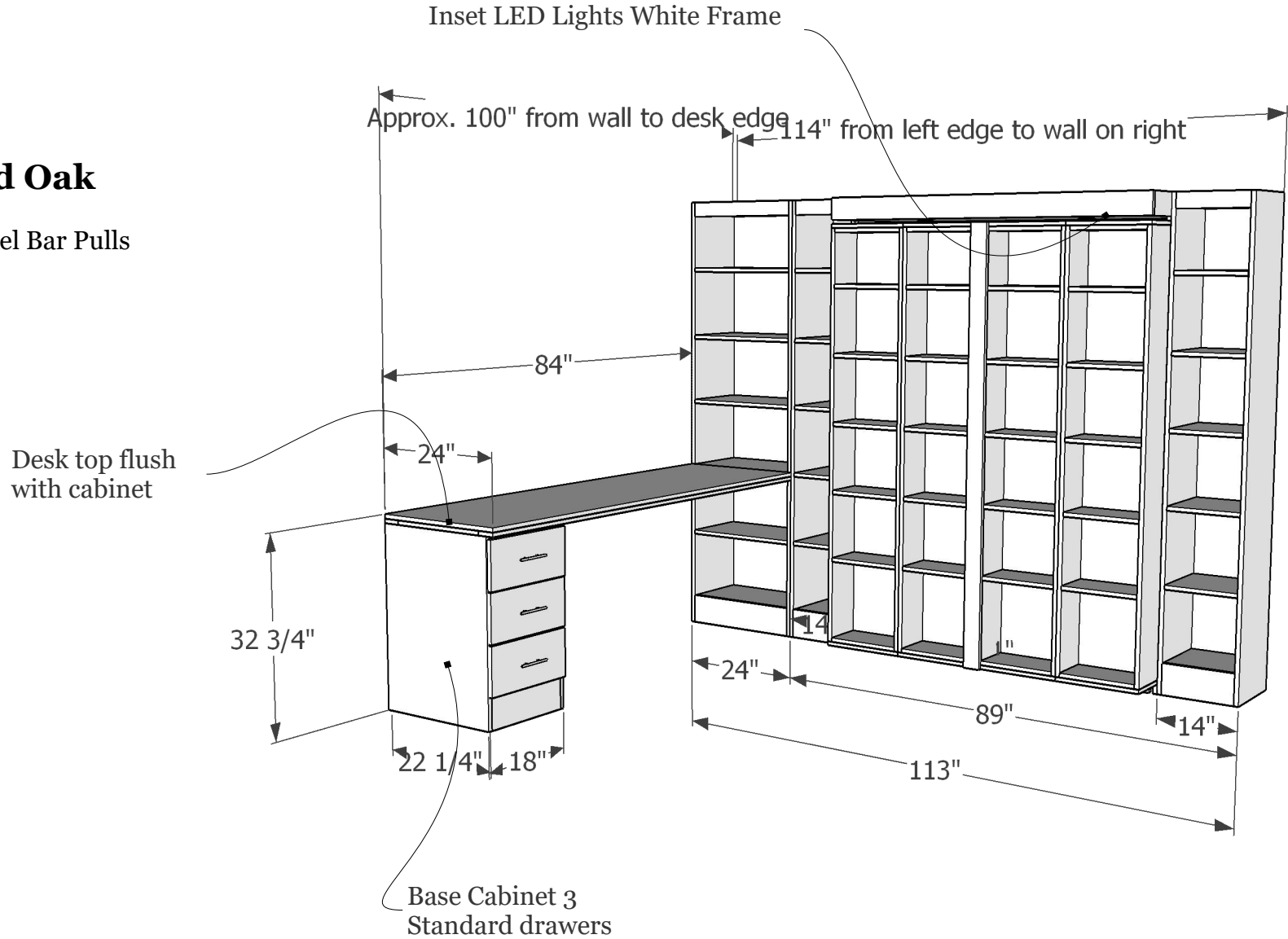
Donna Walton

Size: Full

Wood: Red Oak

Color: Pickled Oak

Hardware: 6" Nickel Bar Pulls



Main Drawing with Measurements



It's like having your own shop!

Donna Walton

REVISIONS

	MM/DD/YY	REMARKS
1	8/22/23	Drew in some walls
2	9/5/23	Changed to full size, made desk longer
3	--/--/--	made cabinet flush with desktop.
4	9/29/23	Flipped the design
5	10/4/23	Added hardware and made drawer section deeper

A 03

A



Room Dimensions



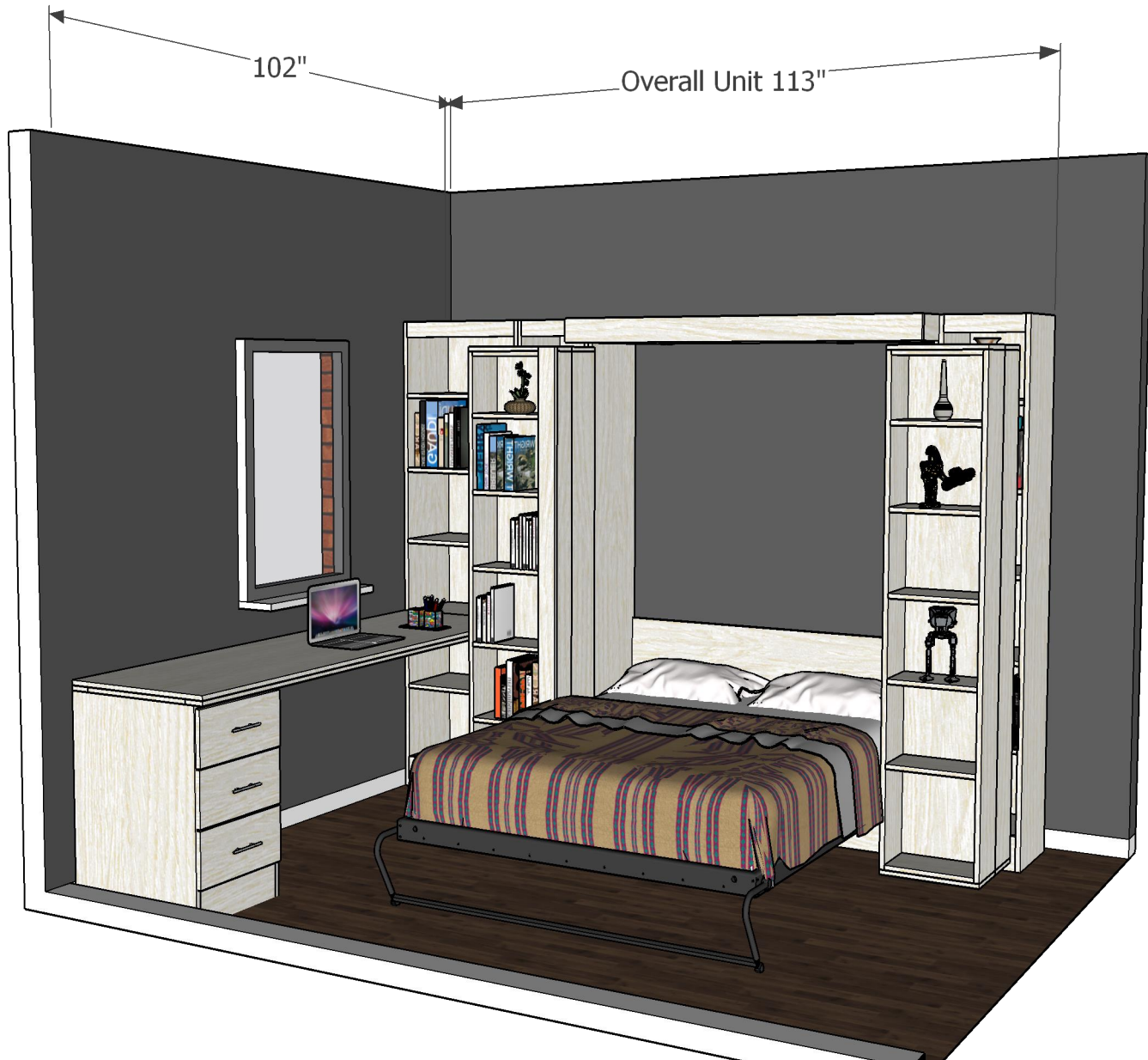
It's like having your own shop!

Donna Walton

REVISIONS

	MM/DD/YY	REMARKS
1	8/22/23	Drew in some walls
2	9/5/23	Changed to full size, made desk longer
3	--/--/--	made cabinet flush with desktop.
4	9/29/23	Flipped the design
5	10/4/23	Added hardware and made drawer section deeper

A 04



Room Dimensions 2



It's like having your own shop!

Donna Walton

REVISIONS

	MM/DD/YY	REMARKS
1	8/22/23	Drew in some walls
2	9/5/23	Changed to full size, made desk longer
3	--/--/--	made cabinet flush with desktop.
4	9/29/23	Flipped the design
5	10/4/23	Added hardware and made drawer section deeper

05

A



Room View Open



It's like having your own shop!

Donna Walton

REVISIONS		
	MM/DD/YY	REMARKS
1	8/22/23	Drew in some walls
2	9/5/23	Changed to full size, made desk longer
3	--/--/--	made cabinet flush with desktop.
4	9/29/23	Flipped the design
5	10/4/23	Added hardware and made drawer section deeper



Front View



It's like having your own shop!

Donna Walton

REVISIONS

	MM/DD/YY	REMARKS
1	8/22/23	Drew in some walls
2	9/5/23	Changed to full size, made desk longer
3	--/--/--	made cabinet flush with desktop.
4	9/29/23	Flipped the design
5	10/4/23	Added hardware and made drawer section deeper



Wall Hidden

Bookcases Open



It's like having your own shop!

Donna Walton

REVISIONS

	MM/DD/YY	REMARKS
1	8/22/23	Drew in some walls
2	9/5/23	Changed to full size, made desk longer
3	--/--/--	made cabinet flush with desktop.
4	9/29/23	Flipped the design
5	10/4/23	Added hardware and made drawer section deeper

08

A



Inset LED Lights White Frame

Lights



It's like having your own shop!

Donna Walton

REVISIONS

	MM/DD/YY	REMARKS
1	8/22/23	Drew in some walls
2	9/5/23	Changed to full size, made desk longer
3	--/--/--	made cabinet flush with desktop.
4	9/29/23	Flipped the design
5	10/4/23	Added hardware and made drawer section deeper

09

A

EXTRAS: Bookcase Lights

Not on your Work Order but we can add lights to the top of each bookcase. They are \$60 each. You'll also need a touch switch that works independently of the center lights.

Lights CAN NOT go in the pivoting bookcases

Cost

-\$60 each light.

-2nd touch Dimmer \$50.



Extras: Bookcase Lights



It's like having your own shop!

Donna Walton

REVISIONS

	MM/DD/YY	REMARKS
1	8/22/23	Drew in some walls
2	9/5/23	Changed to full size, made desk longer
3	--/--/--	made cabinet flush with desktop.
4	9/29/23	Flipped the design
5	10/4/23	Added hardware and made drawer section deeper

10

A

Extras: Bookcase Charging Station

These outlets are normally placed at the back of the shelf above the drink tray pullout. They come with a 110V outlet. Also charge/power your phone, tablet or MP3 player a standard USB and now a fast charging USB-C (available in white or black)
 Cost \$100 ea.

Only really practical in the far right bookcase, with the desk.



Extras: Bookcase Charging Station



It's like having your own shop!

Donna Walton

REVISIONS

	MM/DD/YY	REMARKS
1	8/22/23	Drew in some walls
2	9/5/23	Changed to full size, made desk longer
3	--/--/--	made cabinet flush with desktop.
4	9/29/23	Flipped the design
5	10/4/23	Added hardware and made drawer section deeper

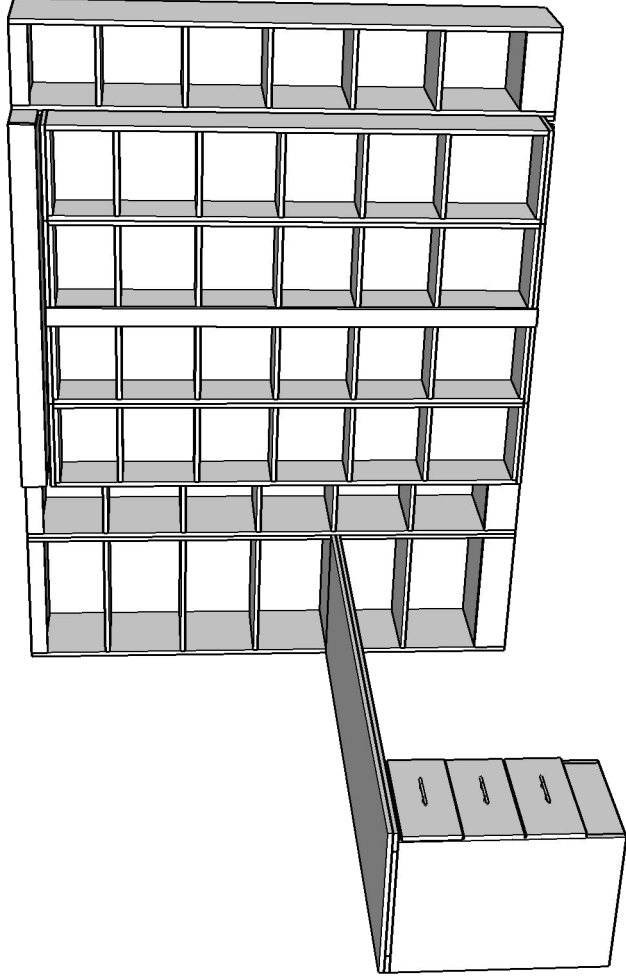
Build | White Board

Size: Full

Wood: Red Oak Color: Pickled Oak

Donna Walton

CNC Changes



Donna Walton

Build Department

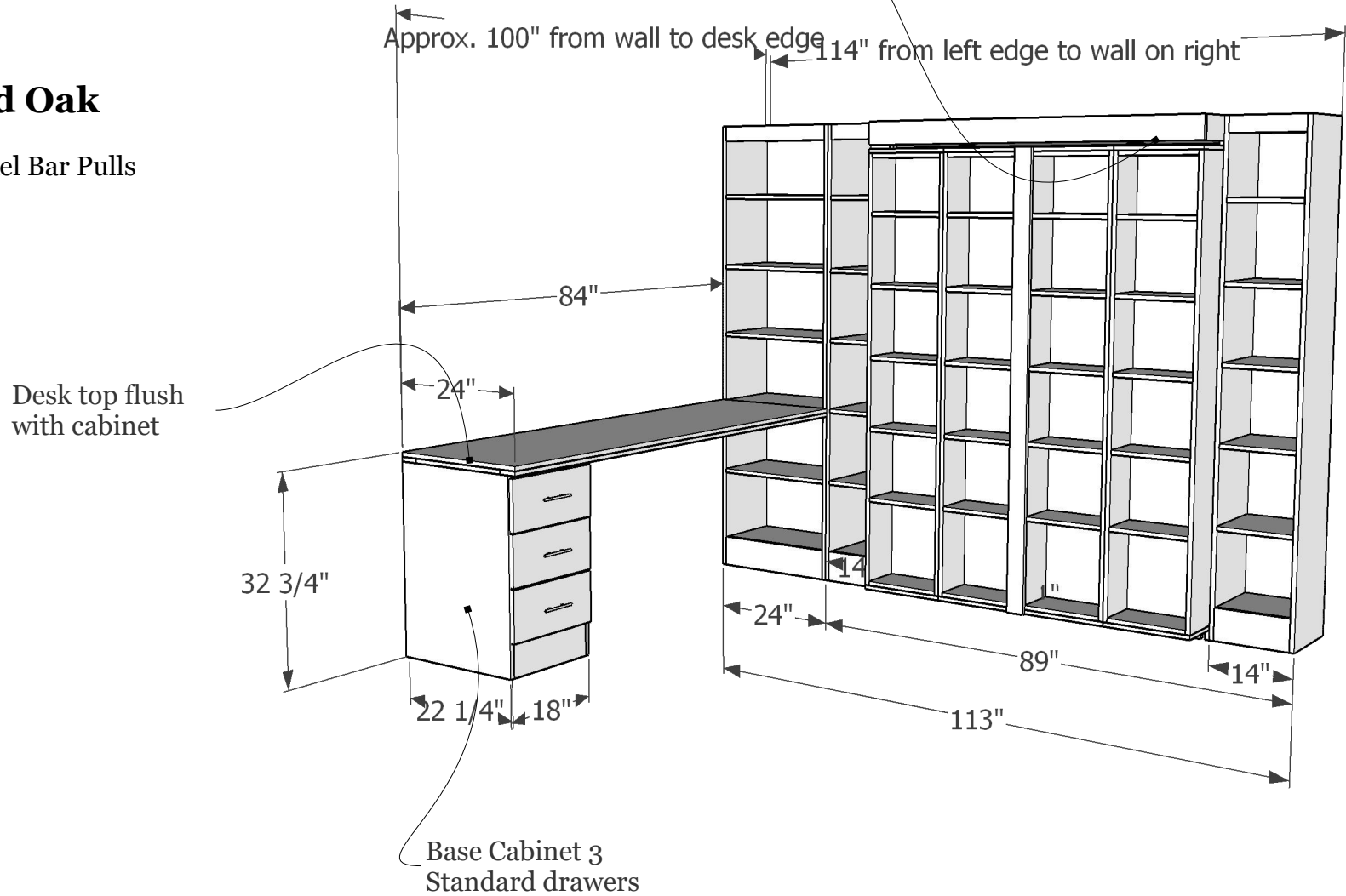
Size: Full

Inset LED Lights White Frame

Wood: Red Oak

Color: Pickled Oak

Hardware: 6" Nickel Bar Pulls



Build Department



It's like having your own shop!

Donna Walton

REVISIONS

	MM/DD/YY	REMARKS
1	8/22/23	Drew in some walls
2	9/5/23	Changed to full size, made desk longer
3	--/--/--	made cabinet flush with desktop.
4	9/29/23	Flipped the design
5	10/4/23	Added hardware and made drawer section deeper

13

A

Donna Walton

Build Assembly Department

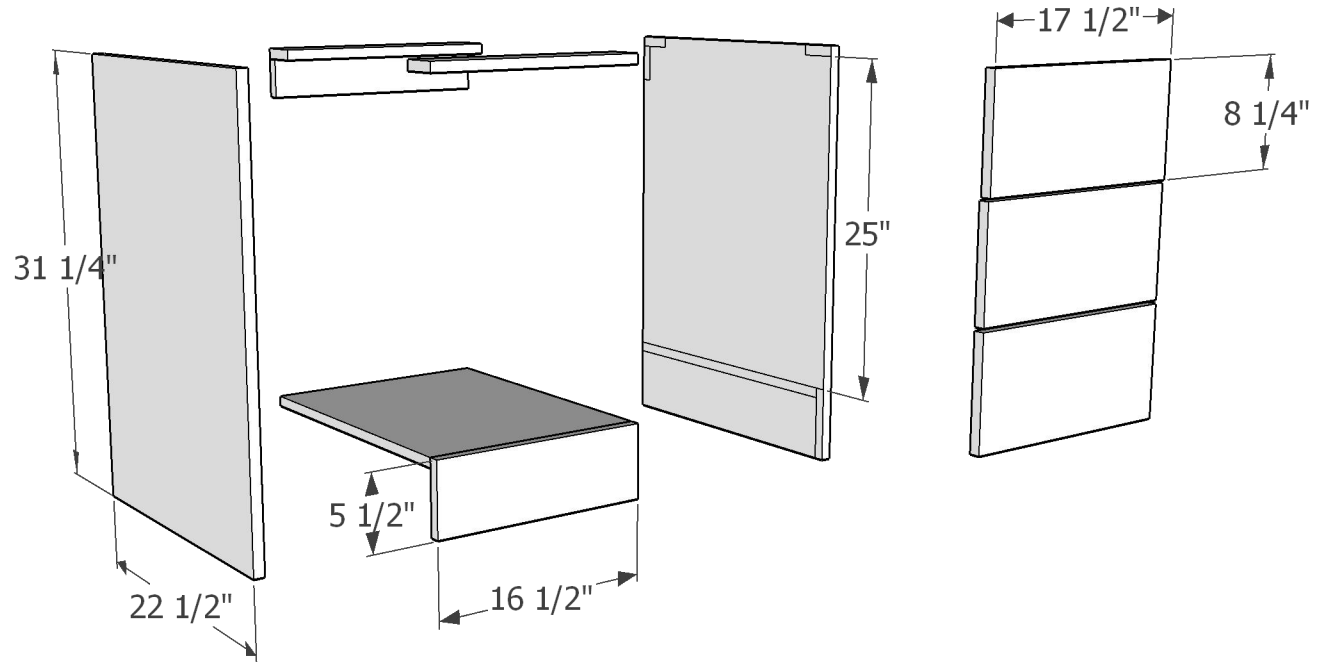
Full

Hardware: 6" Nickel Bar Pulls

Pickled Oak

Cutlist

- 2 - 31 1/4 x 22 1/2 B1 Sides
- 1 - 16 1/2 x 21 1/2 NB Bottom
- 1 - 16 1/2 x 5 1/2 NB Base
- 3 - 16 1/2 x 2 3/4 B1 of 1 Stretcher
- 3 - 17 1/2 x 8 1/4 4 Drawer Fronts
- 1 - 26 1/2 x 17 1/4 Back (double check)



Build Desk Cabinet



It's like having your own shop!

Donna Walton

REVISIONS

	MM/DD/YY	REMARKS
1	8/22/23	Drew in some walls
2	9/5/23	Changed to full size, made desk longer
3	--/--/--	made cabinet flush with desktop.
4	9/29/23	Flipped the design
5	10/4/23	Added hardware and made drawer section deeper

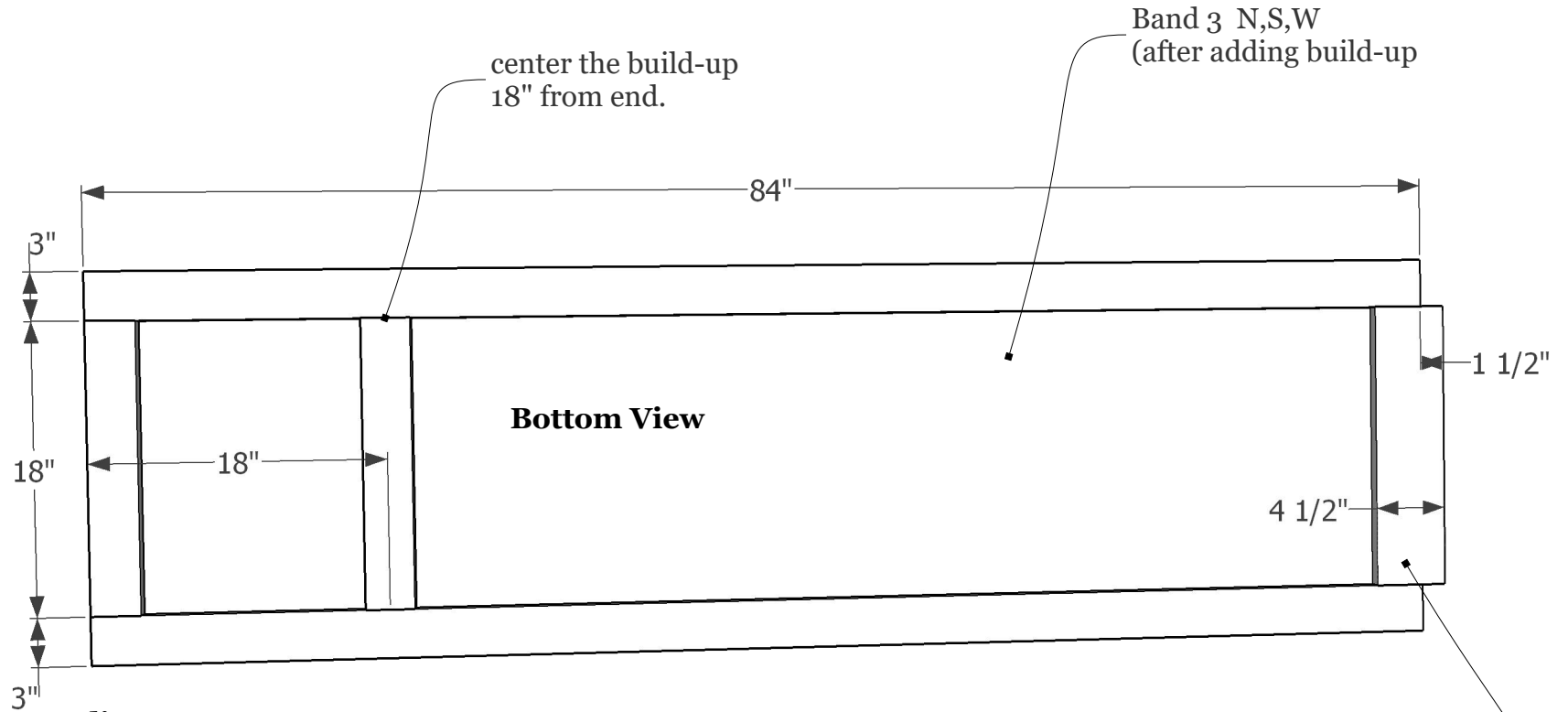
Donna Walton

Build Assembly Department

Full

Hardware: 6" Nickel Bar Pulls

Pickled Oak



Cutlist

- 1 - 84" x 24 top
- 2 - 84 x 3 Build-up trim
- 2 - 18 x 3 build-up trim
- 1 - 18 x 4 1/2 Build up trim (overhang by 1 1/2)

Overhang and predrill to attach to bookcase form underneath

Build Desk Top



It's like having your own shop!

Donna Walton

REVISIONS

	MM/DD/YY	REMARKS
1	8/22/23	Drew in some walls
2	9/5/23	Changed to full size, made desk longer
3	--/--/--	made cabinet flush with desktop.
4	9/29/23	Flipped the design
5	10/4/23	Added hardware and made drawer section deeper

Donna Walton

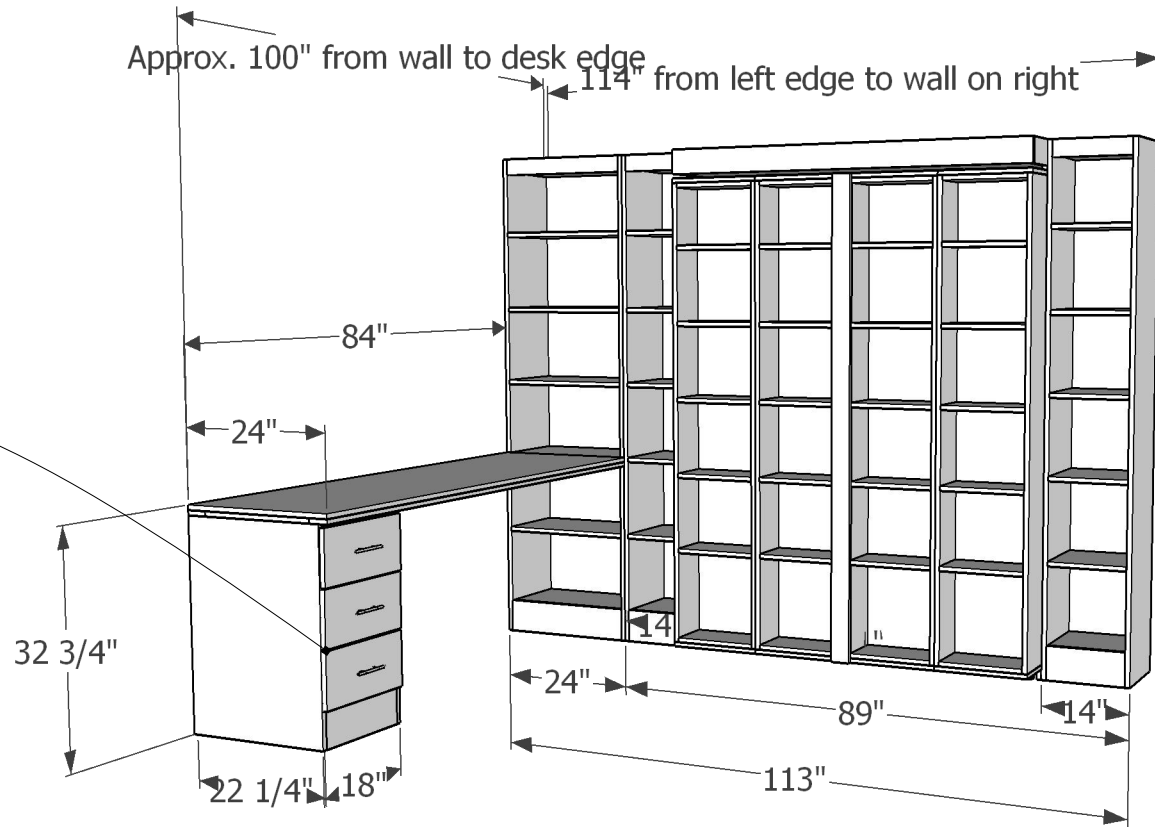
Build Assembly Department

Full

Hardware: 6" Nickel Bar Pulls

Pickled Oak

Drawers:
Up/down: Centered
Left/Right: Centered



Build Hardware



It's like having your own shop!

Donna Walton

REVISIONS

	MM/DD/YY	REMARKS
1	8/22/23	Drew in some walls
2	9/5/23	Changed to full size, made desk longer
3	--/--/--	made cabinet flush with desktop.
4	9/29/23	Flipped the design
5	10/4/23	Added hardware and made drawer section deeper

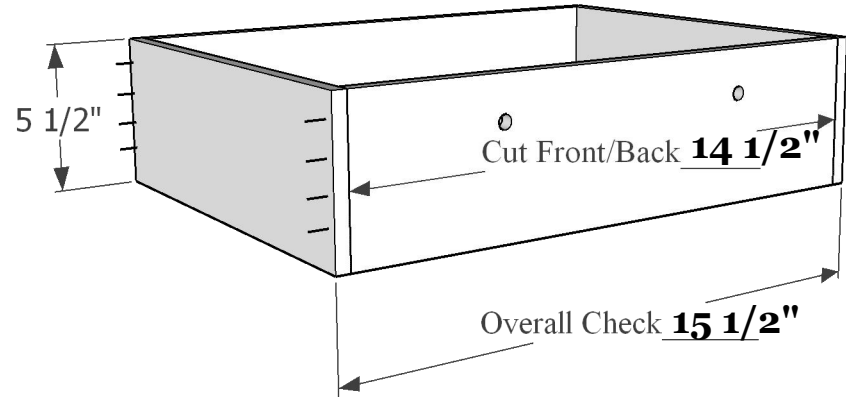
Donna Walton

Build Assembly Department

Full

Hardware: 6" Nickel Bar Pulls

Pickled Oak



Cut List (File 16"d)

1/2" material

6 - 14 1/2" x 5 1/2" Front/Back

6 - 16 x 5 1/2" Sides

1/4" Material

3 - 15" x 15 1/2" Bottoms

Inside Cabinet check **16 1/2"**

Build Drawer Box



It's like having your own shop!

Donna Walton

REVISIONS

	MM/DD/YY	REMARKS
1	8/22/23	Drew in some walls
2	9/5/23	Changed to full size, made desk longer
3	--/--/--	made cabinet flush with desktop.
4	9/29/23	Flipped the design
5	10/4/23	Added hardware and made drawer section deeper

Build Checklist

Phase 1

Bifold Bookcase

- 4 Face bookcases
- 2 Verticals (on legs?)
- 1 Headboard (on legs?)
- 1 Header (on legs?)
- 1 Base (on legs?)
- 1 Front Trim 78 1/2 x 2 5/8
- Lights cut?
-
-
-
-
- Ready to finish?

Phase 2

Bookcases

- 2 Cabinets
- 2 Backs
- 8 Adj. Shelves
-
-
-
- Ready to finish?

Phase 3

Bookcases

- 1 Cabinet
 - 1 Backs
 - 4 Adj. Shelves
 - 1 Desk Base
 - 1 Desk Top
 - 3 Drawer Fronts
 - Hardware Holes Drilled?
 - Drawer boxes built
 -
 -
 - Ready to finish?
- (cabinet is going against the wall, but make the back side pretty anyway. Don't have to band the side of the cabinet, but sand, and finish all sizes)

Signed off by: _____

Signed off by: _____

Signed off by: _____

Phase 2 and Phase 3 can be combined when spraying. If you do, log into Phase 3 and note "Phase 2 and 3 combined".



REVISIONS

	MM/DD/YY	REMARKS
1	8/22/23	Drew in some walls
2	9/5/23	Changed to full size, made desk longer
3	--/--/--	made cabinet flush with desktop.
4	9/29/23	Flipped the design
5	10/4/23	Added hardware and made drawer section deeper

Donna Walton

Finish Department

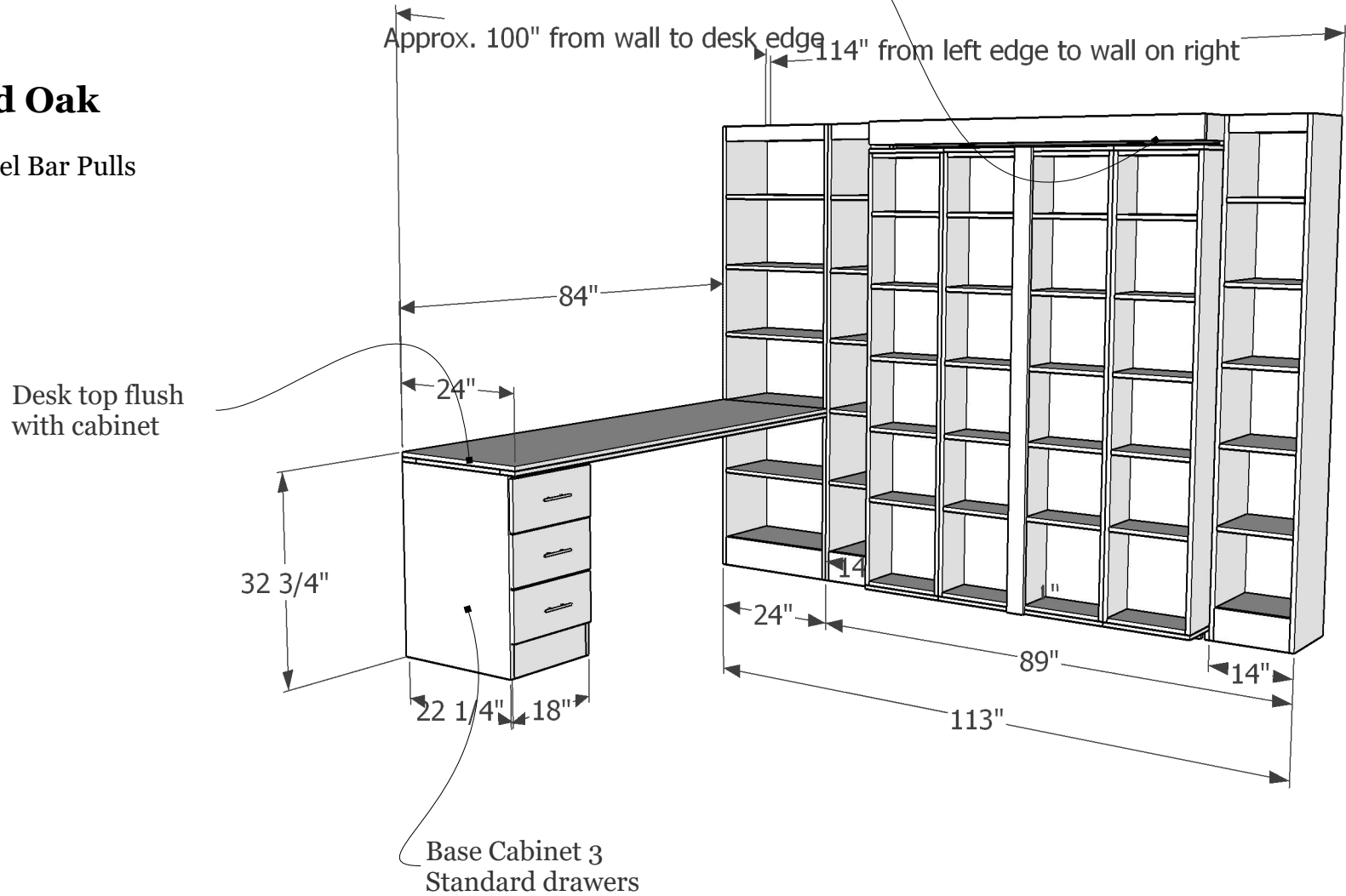
Size: Full

Inset LED Lights White Frame

Wood: Red Oak

Color: Pickled Oak

Hardware: 6" Nickel Bar Pulls



Finish Department



It's like having your own shop!

Donna Walton

REVISIONS

	MM/DD/YY	REMARKS
1	8/22/23	Drew in some walls
2	9/5/23	Changed to full size, made desk longer
3	--/--/--	made cabinet flush with desktop.
4	9/29/23	Flipped the design
5	10/4/23	Added hardware and made drawer section deeper

Finish Checklist

Phase 1

Bifold Bookcase

- 4 Face bookcases
- 2 Verticals (on legs?)
- 1 Headboard (on legs?)
- 1 Header (on legs?)
- 1 Base (on legs?)
- 1 Front Trim 78 1/2 x 2 5/8
- Lights cut?
-
-
-
-
- Ready to finish?

Phase 2

Bookcases

- 2 Cabinets
- 2 Backs
- 8 Adj. Shelves
-
-
-
- Ready to finish?

Phase 3

Bookcases

- 1 Cabinet
 - 1 Backs
 - 4 Adj. Shelves
 - 1 Desk Base
 - 1 Desk Top
 - 3 Drawer Fronts
 - Hardware Holes Drilled?
 - Drawer boxes built
 -
 -
 - Ready to finish?
- (cabinet is going against the wall, but make the back side pretty anyway. Don't have to band the side of the cabinet, but sand, and finish all sizes)

Signed off by: _____

Signed off by: _____

Signed off by: _____



REVISIONS

	MM/DD/YY	REMARKS
1	8/22/23	Drew in some walls
2	9/5/23	Changed to full size, made desk longer
3	--/--/--	made cabinet flush with desktop.
4	9/29/23	Flipped the design
5	10/4/23	Added hardware and made drawer section deeper

Donna Walton

Full

Pickled Oak

Headboard Silver Plate

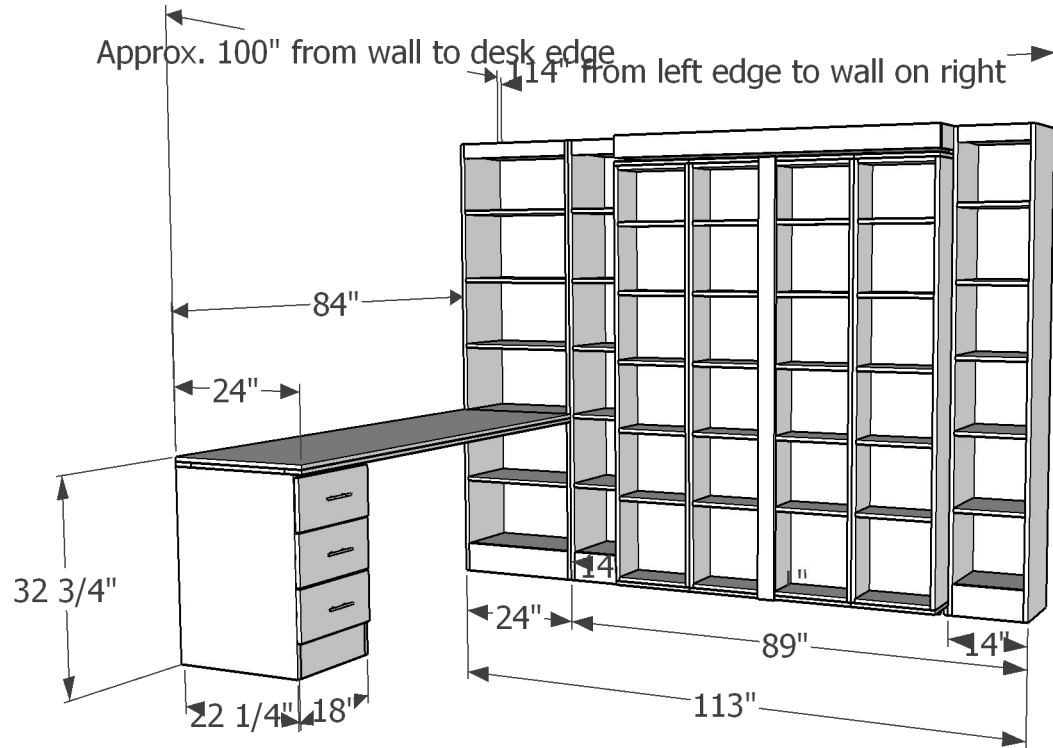
Bed
LED Lights White Frame

Final Assembly/Boxing

Hardware: 6" Nickel Bar Pulls

Rail sizes:
16" For desk

Springs:
Not sure. It seems we only use about 2 on each side.



Final Assembly/Boxing



It's like having your own shop!

Donna Walton

REVISIONS

	MM/DD/YY	REMARKS
1	8/22/23	Drew in some walls
2	9/5/23	Changed to full size, made desk longer
3	--/--/--	made cabinet flush with desktop.
4	9/29/23	Flipped the design
5	10/4/23	Added hardware and made drawer section deeper