



David Barnard
Work Order 1104



It's like having your own shop!

Drawn By: Chris Davis

Last Modified: October 15, 2023

David Barnard
 Work Order 1104
Wood: Painted Mapel
Color: SW 7008 Alabaster
Size: Full Horizontal

Hardware: 3" Satin Nickel Center Pulls on Face,
 1 1/4" Satin Nickel Knobs on Desk Drawers



3" Center Pulls
 Nickel



1 1/4" Knob
 Nickel

Info Page



It's like having your own shop!

David Barnard
 Work Order 1104

REVISIONS

	MM/DD/YY	REMARKS
1	--/--/--	...
2	--/--/--	...
3	--/--/--	...
4	--/--/--	...
5	--/--/--	...

02

A

**David Barnard
Work Order 1104**

Size: Full Horizontal

Wood: Painted Mapel

Color: SW 7008 Alabaster

Hardware: 3" Satin Nickel Center Pulls on Face,
1 1/4" Satin Nickel Knobs on Desk Drawers

Barn Door face
(no crossbar)
Similar to #1619-0620

2nd touch plate
(Silver Plate)

White Desk Mechanism

Outlet LED Lights White Frame

All hardware similar
to #1619-0620

64 3/4"

16"

80"

33 1/4"

Stay Level desk
(2 drawers with lift up center)

Under desk White Charging Station

Main Drawing with Measurements



It's like having your own shop!

David Barnard
Work Order 1104

REVISIONS

	MM/DD/YY	REMARKS
1	--/--/--	...
2	--/--/--	...
3	--/--/--	...
4	--/--/--	...
5	--/--/--	...

03

A



Face Closed



It's like having your own shop!

David Barnard
Work Order 1104

REVISIONS

	MM/DD/YY	REMARKS
1	--/--/--	...
2	--/--/--	...
3	--/--/--	...
4	--/--/--	...
5	--/--/--	...

A 04

A



Face Open



It's like having your own shop!

David Barnard
Work Order 1104

REVISIONS

	MM/DD/YY	REMARKS
1	--/--/--	...
2	--/--/--	...
3	--/--/--	...
4	--/--/--	...
5	--/--/--	...

05

A



Vanity Open



It's like having your own shop!

David Barnard
Work Order 1104

REVISIONS

	MM/DD/YY	REMARKS
1	--/--/-- ...	
2	--/--/-- ...	
3	--/--/-- ...	
4	--/--/-- ...	
5	--/--/-- ...	



Lights

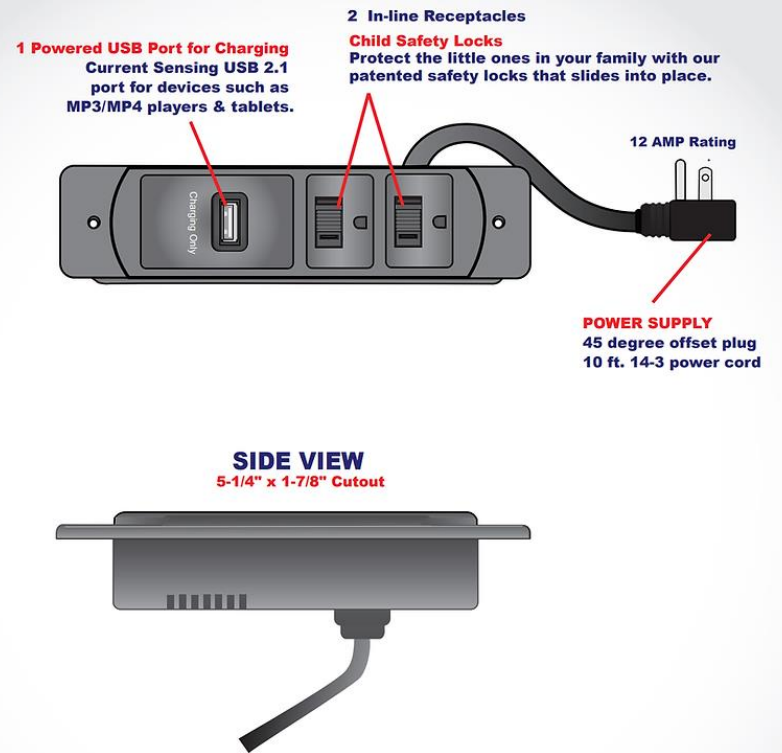


It's like having your own shop!

David Barnard
Work Order 1104

REVISIONS

	MM/DD/YY	REMARKS
1	--/--/-- ...	
2	--/--/-- ...	
3	--/--/-- ...	
4	--/--/-- ...	
5	--/--/-- ...	



Under Desk Charging Station



It's like having your own shop!

David Barnard
Work Order 1104

REVISIONS

	MM/DD/YY	REMARKS
1	--/--/--	...
2	--/--/--	...
3	--/--/--	...
4	--/--/--	...
5	--/--/--	...

08

A



6" Base Cutout

Base Cutout



It's like having your own shop!

David Barnard
Work Order 1104

REVISIONS

	MM/DD/YY	REMARKS
1	--/--/-- ...	
2	--/--/-- ...	
3	--/--/-- ...	
4	--/--/-- ...	
5	--/--/-- ...	

A 09

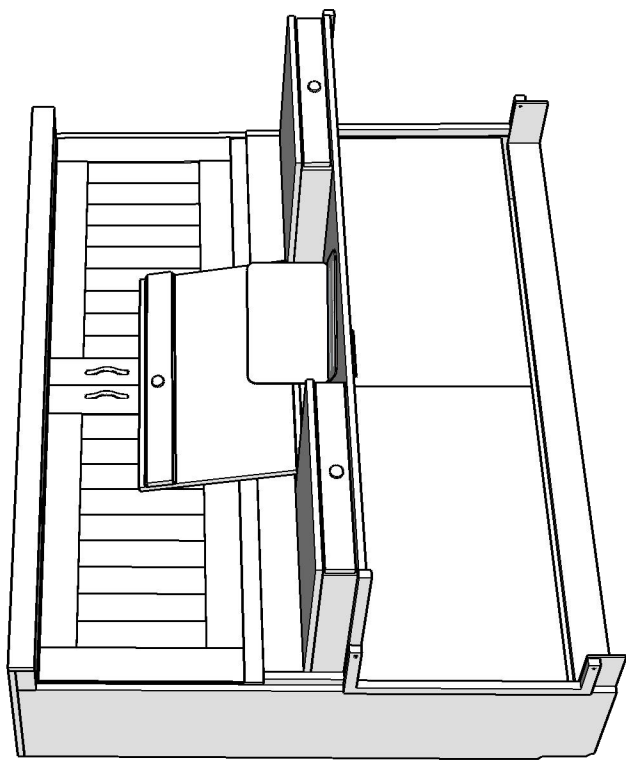
Build | White Board

Size: Full Horizontal

Wood: Painted Maple Color: SW 7008 Alabaster

David Barnard Work Order 1104

CNC Changes



David Barnard
Work Order 1104

Build Department

Size: Full Horizontal

Wood: Painted Mapel

Color: SW 7008 Alabaster

Hardware: 3" Satin Nickel Center Pulls on Face,
 1 1/4" Satin Nickel Knobs on Desk Drawers

Barn Door face
 (no crossbar)
 Similar to #1619-0620

2nd touch plate
 (Silver Plate)

White Desk Mechanism

Outset LED Lights White Frame

All hardware similar
 to #1619-0620

64 3/4"

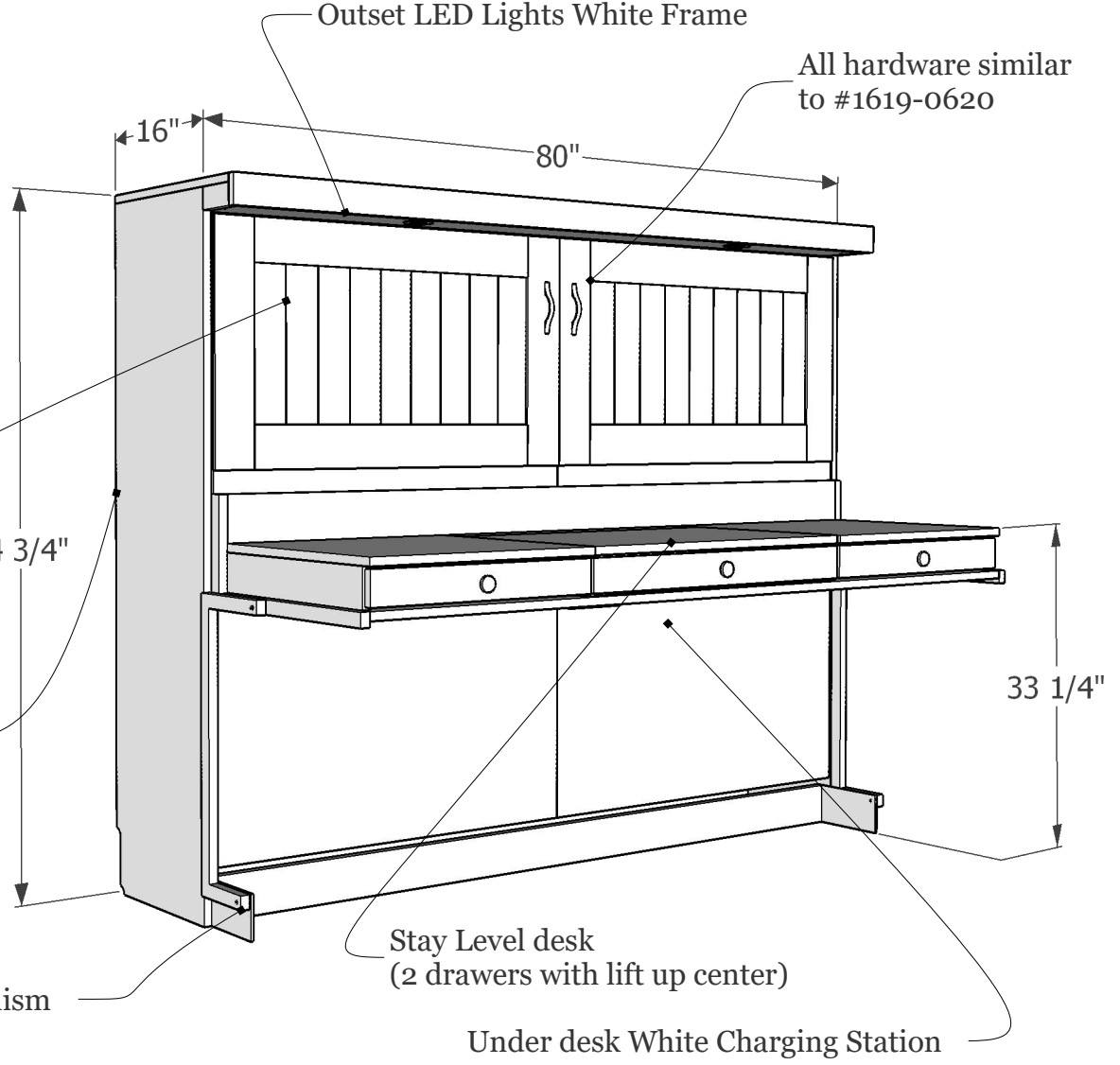
16"

80"

33 1/4"

Stay Level desk
 (2 drawers with lift up center)

Under desk White Charging Station



Build Department



It's like having your own shop!

David Barnard
 Work Order 1104

REVISIONS

	MM/DD/YY	REMARKS
1	--/--/--	...
2	--/--/--	...
3	--/--/--	...
4	--/--/--	...
5	--/--/--	...

11

A

David Barnard
Work Order 1104
 Full Horizontal

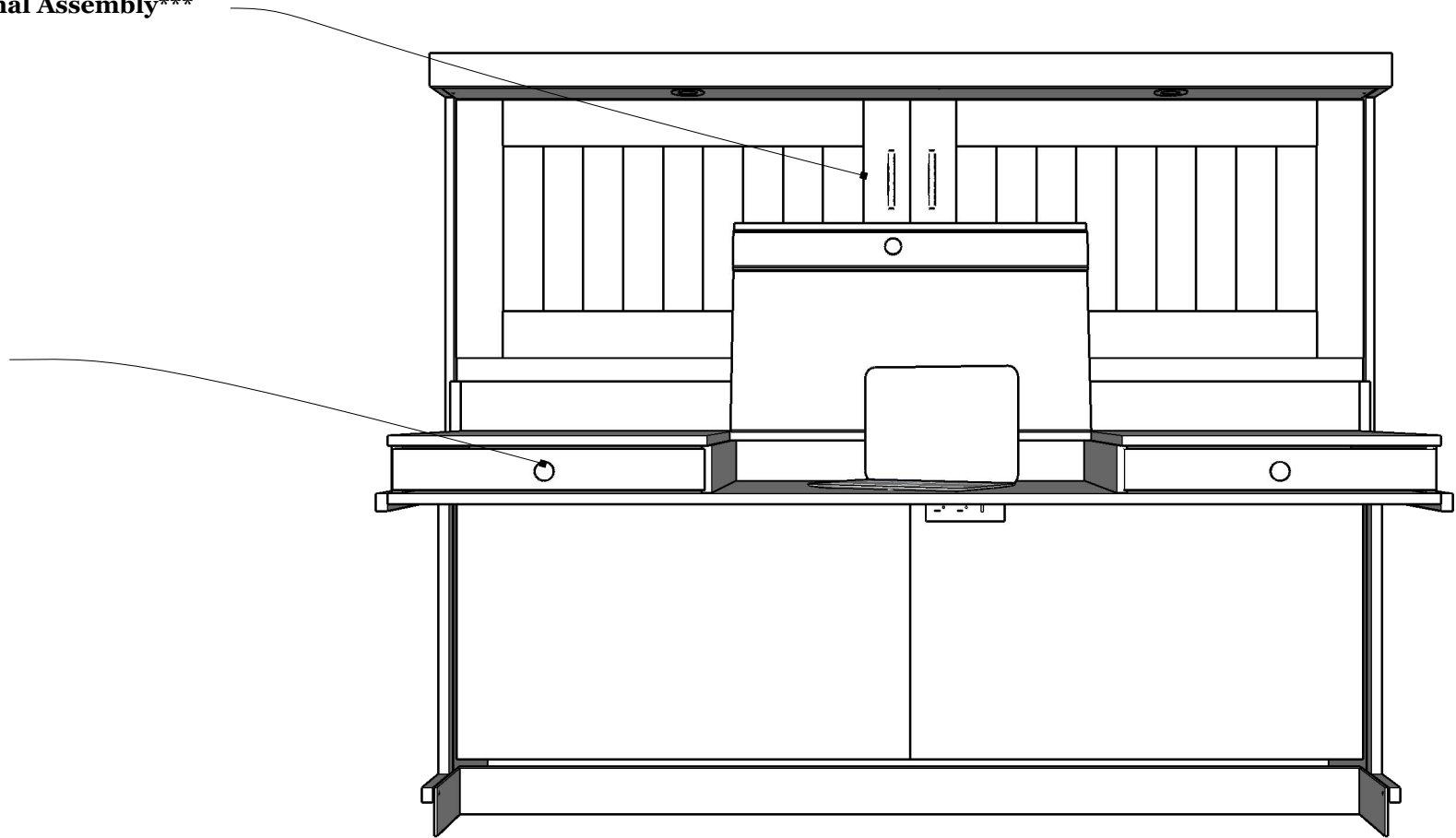
SW 7008 Alabaster

Face Hardware
 Wait to drill until Final Assembly

Build Assembly Department

Hardware: 3" Satin Nickel Center Pulls on Face,
 1 1/4" Satin Nickel Knobs on Desk Drawers

Drawers:
Up/down: Centered
Left/Right: Centered



Build Hardware



It's like having your own shop!

David Barnard
 Work Order 1104

REVISIONS

	MM/DD/YY	REMARKS
1	--/--/-- ...	
2	--/--/-- ...	
3	--/--/-- ...	
4	--/--/-- ...	
5	--/--/-- ...	

David Barnard
Work Order 1104
 Full Horizontal

SW 7008 Alabaster

Build Assembly Department

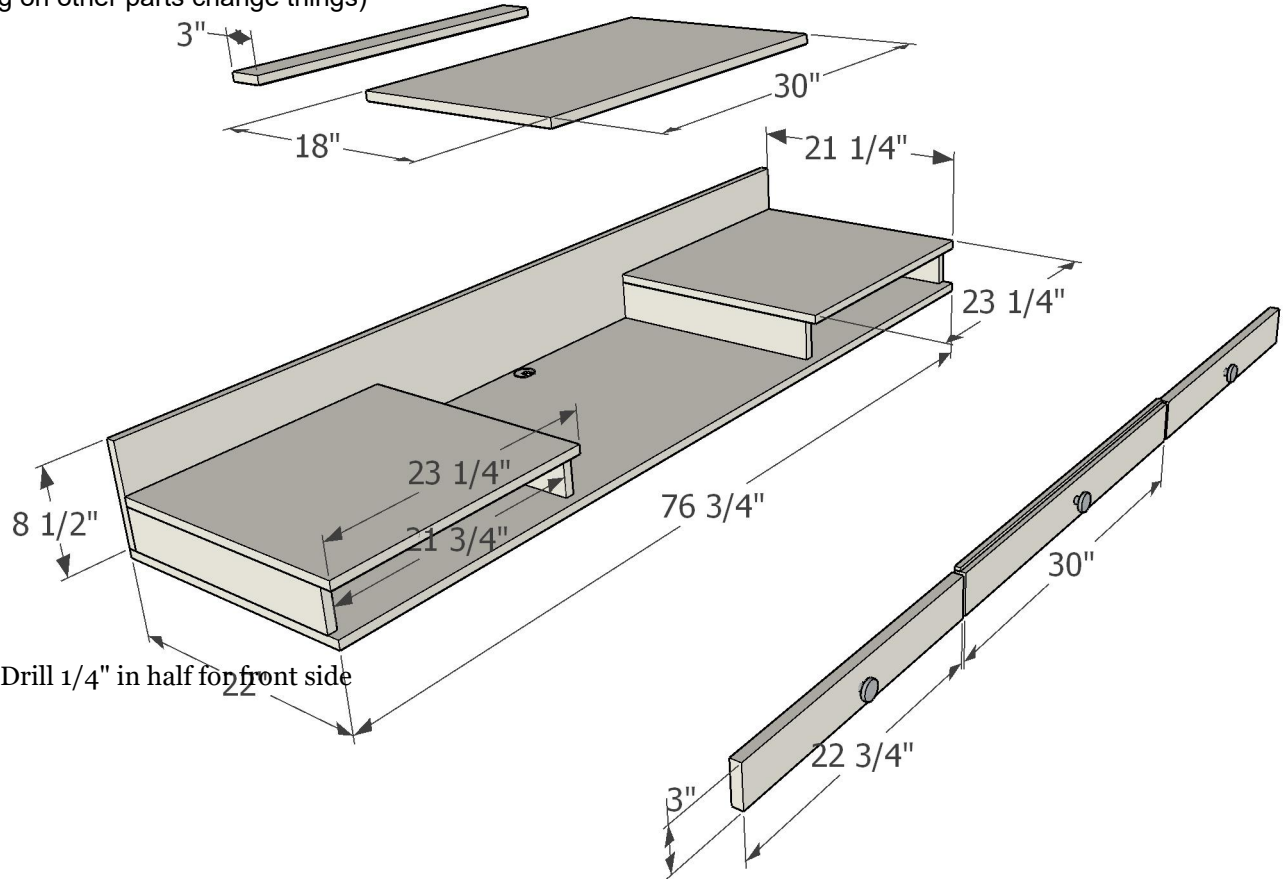
Hardware: 3" Satin Nickel Center Pulls on Face,
 1 1/4" Satin Nickel Knobs on Desk Drawers

Also need (Manual Cut)

- 1 - 30 1/4" x 3" NB (may have to trim if edge banding on other parts change things)
- 4 - 20 1/4" x 3 1/2" B1 short side

Solid

- 2 - 22 3/4" x 3 1/4" drawer front
- 1 - 30" x 3 1/2" Drawer front (Dado 1/8" top/bottom)



Drawer Cut List (2 pencil drawers)

1/2" material

- 4 - 19 3/4 x 2" Front/Back Groove on top Drill 1/4" in half for front side
- 4 - 16 x 2" Sides

1/4" Material

- 2 - 20 1/4" x 15 1/2" Bottoms

Build Vanity



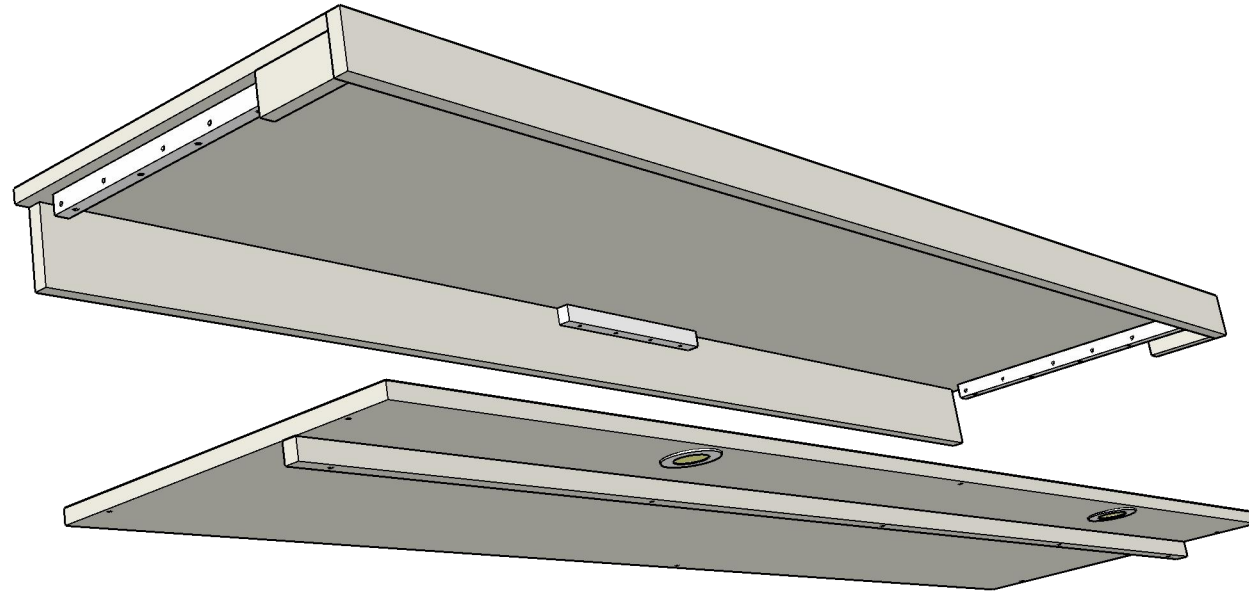
It's like having your own shop!

David Barnard
 Work Order 1104

REVISIONS

	MM/DD/YY	REMARKS
1	--/--/--	...
2	--/--/--	...
3	--/--/--	...
4	--/--/--	...
5	--/--/--	...

See "Shop Build Header Horizontal Outset" in customer's file for build instructions



Header Build



It's like having your own shop!

David Barnard
Work Order 1104

REVISIONS

	MM/DD/YY	REMARKS
1	--/--/--	...
2	--/--/--	...
3	--/--/--	...
4	--/--/--	...
5	--/--/--	...

David Barnard
Work Order 1104

Build Checklist

Phase 1

4 Panel Face with 2 Drawers (lift center)

- 2 Faces (Banded on correct sides?)
- 2 Verticals (on legs?)
- 1 Headboard (on legs?)
- 1 Header (on legs?)
- 1 Light Panel
- 2 Bottom 4" Base (on legs?)
- 1 Desk Unit
- 1 Lift up section
- 1 False center drawer
- 2 Drawer Fronts
- Hardware Holes Drilled (Desk only)?
- Drawer Boxes built?
-
-
- Ready to finish?

Signed off by: _____

Build Checklist



It's like having your own shop!

David Barnard
 Work Order 1104

REVISIONS

	MM/DD/YY	REMARKS
1	--/--/--	...
2	--/--/--	...
3	--/--/--	...
4	--/--/--	...
5	--/--/--	...

David Barnard
Work Order 1104

Finish Department

Size: Full Horizontal

Wood: Painted Mapel

Color: SW 7008 Alabaster

Hardware: 3" Satin Nickel Center Pulls on Face,
 1 1/4" Satin Nickel Knobs on Desk Drawers

Barn Door face
 (no crossbar)
 Similar to #1619-0620

2nd touch plate
 (Silver Plate)

White Desk Mechanism

Outlet LED Lights White Frame

All hardware similar
 to #1619-0620

64 3/4"

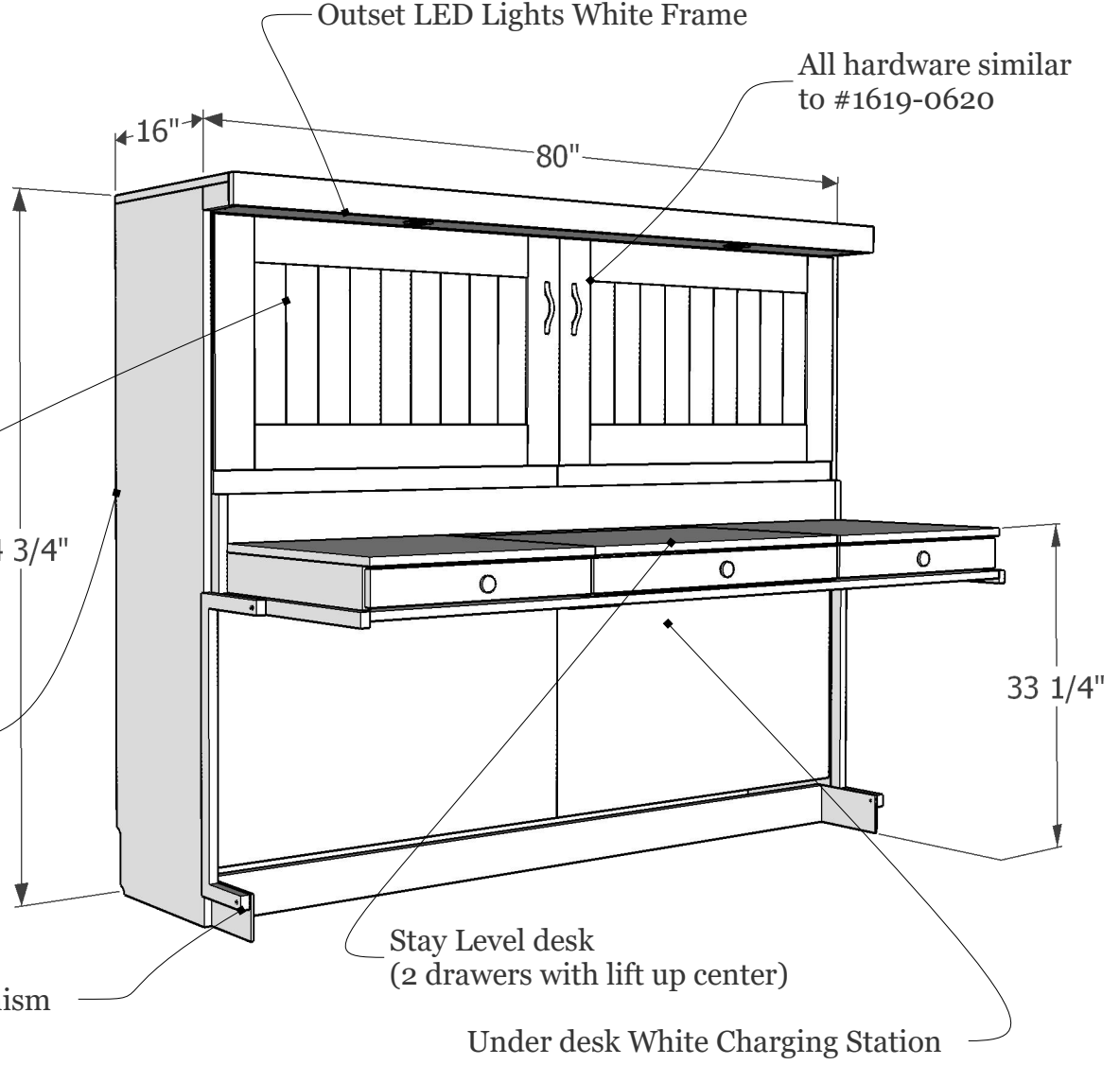
16"

80"

33 1/4"

Stay Level desk
 (2 drawers with lift up center)

Under desk White Charging Station



Finish Department



It's like having your own shop!

David Barnard
 Work Order 1104

REVISIONS

	MM/DD/YY	REMARKS
1	--/--/--	...
2	--/--/--	...
3	--/--/--	...
4	--/--/--	...
5	--/--/--	...

Finish Checklist

Phase 1

4 Panel Face with 2 Drawers (lift center)

- 2 Faces (Banded on correct sides?)
- 2 Verticals (on legs?)
- 1 Headboard (on legs?)
- 1 Header (on legs?)
- 1 Light Panel
- 2 Bottom 4" Base (on legs?)
- 1 Desk Unit
- 1 Lift up section
- 1 False center drawer
- 2 Drawer Fronts
- Hardware Holes Drilled (Desk only)?
- Drawer Boxes built?
-
-
- Ready to finish?

Signed off by: _____

Finish Checklist



It's like having your own shop!

David Barnard
 Work Order 1104

REVISIONS

	MM/DD/YY	REMARKS
1	--/--/-- ...	
2	--/--/-- ...	
3	--/--/-- ...	
4	--/--/-- ...	
5	--/--/-- ...	

David Barnard
 Work Order 1104
 Full Horizontal

SW 7008 Alabaster

Final Assembly/Boxing

Hardware: 3" Satin Nickel Center Pulls on Face,
 1 1/4" Satin Nickel Knobs on Desk Drawers

Hardware will be drilled by Final Assembly.
 Needs to be as low as possible but to where the
 lift up door will not hit it.



3" Center Pulls
 Nickel

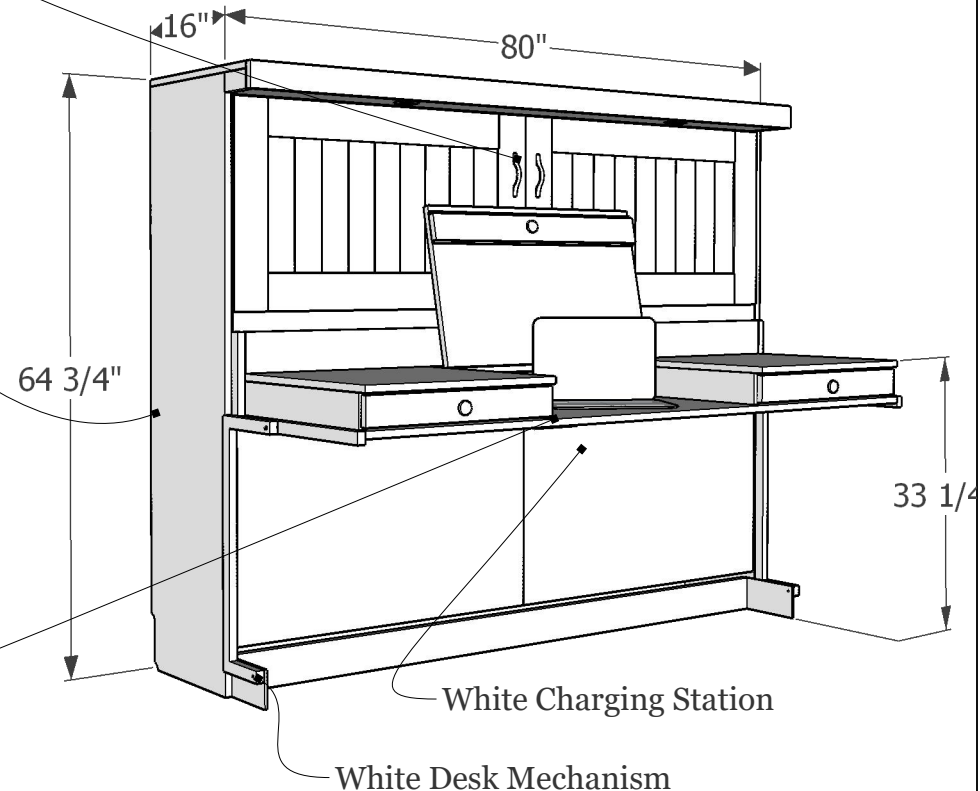
Bed
LED Lights White Frame

2nd Plate Location (Silver Plate)
 Headboard Silver Plate

Rail sizes:
 16" on drawers

Springs:
 ## each side
 *If even number skip middle.

Drawer front WILL NOT be centered when
 mounting on the drawer box. Inside will
 overhang 1 1/4"



Final Assembly/Boxing



It's like having your own shop!

David Barnard
 Work Order 1104

REVISIONS

	MM/DD/YY	REMARKS
1	--/--/--	...
2	--/--/--	...
3	--/--/--	...
4	--/--/--	...
5	--/--/--	...